

Lumistar Luminaire ESL 51LED

ESL 51LED HK: with bracket for SW I (wiper unit)
ESL 51LED KS: with hinged bracket for general use
ESL 51LED B: special sterile version for flange attachment for fitting over flanges, collars, etc.

- **Ideal combination of flush design and smooth surface:**
 This sight glass luminaire is designed for mounting on sight glass fittings in universal applications. It is practical either in combined sight and light ports (single-flange version) or with separate ports (two-flange version). Integrated fastening clamp enables attachment to Lumiglas wiper unit SW I.
- **Compact design, powerful light output:**
 Glare-free illumination; fits circular sight glass fittings similar to DIN 28120 / DIN 28121 as well as screwed sight glass fittings similar to DIN 11851.
- **Applications in the chemical, pharmaceutical, biogas and food processing industries:**
 For illuminating the interior of vessels, tanks, agitators, silos and other generally closed containers and reactors and also in visual flow indicators.
- **Protection class:**
 Dust-tight and water jet-proof,
 IP 65 acc. to DIN EN 60529 / DIN VDE 0470 part 1
- **Operating conditions:**
 Independent of vacuum/pressure in the vessel. Under no circumstances should a sight glass luminaire be used as a substitute for the cover flange or instead of the complete sight glass flange assembly, or on its own to close a vessel port.
- **Caution:**
 Do not look into light – Danger of impaired eyesight!
- **Maximum admissible ambient temperature:**
 50°C
- **Straightforward installation using special attachment, ensuring convenience of use:**
 The luminaire is fixed to the mating flange by a hinged bracket in the case of circular sight glass fittings and visual flow indicators. With screw-type sight glass fittings, it is fastened to the groove nut.
- **Lumistar ESL 51-LED luminaires fit the following nominal sizes:**
 - a) Circular sight glass fittings similar to DIN 28120: from DN 25
 - b) Circular sight glass fittings similar to DIN 28121: from DN 40
 - c) Visual flow indicators: from DN 25
 - d) Screw-type sight glass fittings similar to DIN 11851: from DN 40
- **Operating voltage:**
 24 V AC/DC – 2.5 W
 Colour temperature: 5000 K
 Luminous flux: 180 lm
- **Reflected beam angle:** 26°
- **Transformers or AC/DC converters** for on-site installation or for installing in a control cabinet are available on request.
 (AC/DC converter: 230 V AC - 24 V DC)

CE

3755.361 d



Lumistar luminaire ESL 51LED HK installed on a screwed sight glass fitting equipped with Lumiglas wiper unit SW I



Lumistar luminaire ESL 51LED KS adapted to a standard flange



CMC TECHNOLOGIES

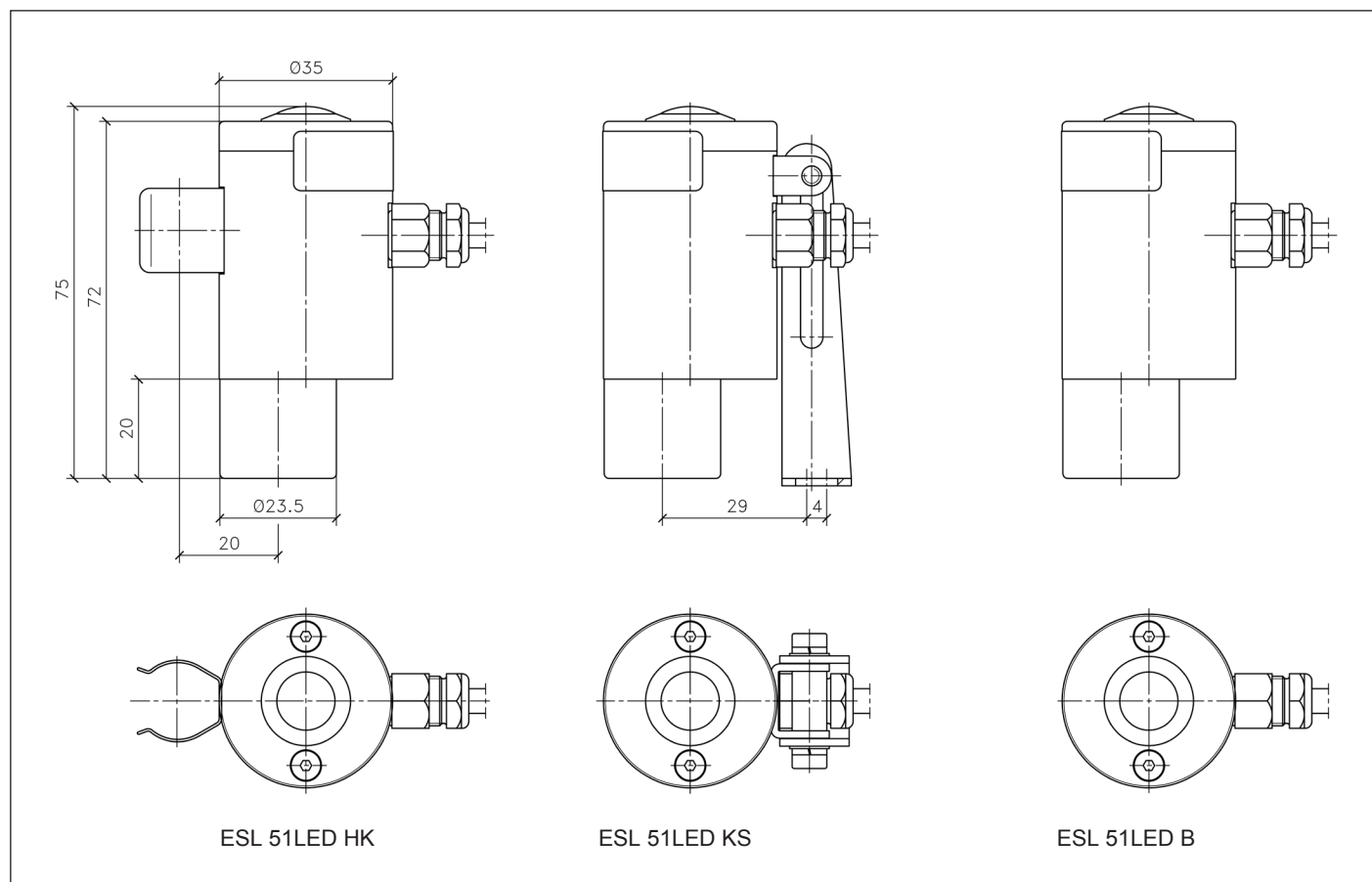
PTY LIMITED ACN: 085 991 224, ABN: 47 085 991 224

Engineering & Instrumentation
 Phone: +61 2 9669 4000
 Fax: +61 2 9669 4111
 Email: sales@cmctechnologies.com.au
 Web Site: <http://www.cmctechnologies.net.au>

Unit 19, 77 Bourke Road,
 Alexandria, NSW, 2015
 AUSTRALIA

PAPENMEIER

• Dimensions of Lumistar ESL 51-LED luminaires:



• Description and materials:

- Body and head of luminaire: Stainless steel 1.4404
- Fastening elements: Stainless steel

- Connecting cable: 3 m (3 x 0.5 mm²) factory-fitted, other lengths on request
- Weight: 0.3 kg

• Connecting data:

Lumistar ESL 51LED luminaires

Item	Type	Voltage/wattage	Pushbutton	Fastening element	Part No.
1	ESL 51LED HK	24 V AC/DC - 2.5 W	without	Clamp attachment	3541.303.00
2	ESL 51LED HK	24 V AC/DC - 2.5 W	with	Clamp attachment	3541.306.00
3	ESL 51LED KS	24 V AC/DC - 2.5 W	without	Hinged bracket	3541.304.00
4	ESL 51LED KS	24 V AC/DC - 2.5 W	with	Hinged bracket	3541.307.00
5	ESL 51LED B	24 V AC/DC - 2.5 W	without	Flange adapter	3541.305.00
6	ESL 51LED B	24 V AC/DC - 2.5 W	with	Flange adapter	3541.308.00

• Order data: e.g.

Lumistar luminaire ESL 51LED HK, with pushbutton, clamp fastening element, part no. 3541.306.00