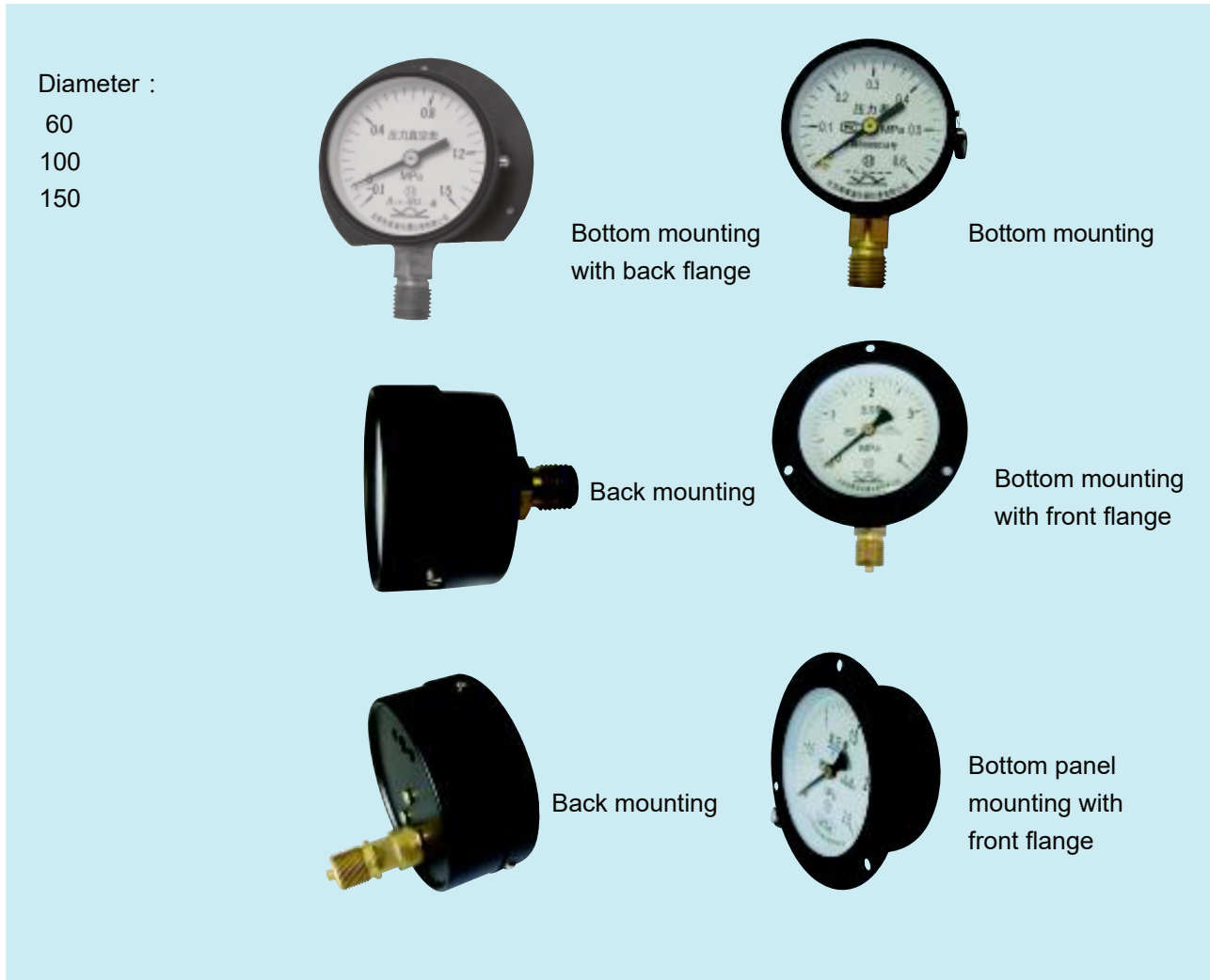


(60/100/150)

CMC General Service Pressure Gauges

Y-060
Y-100
Y-150



PRODUCT OVERVIEW

Y series General Service Pressure Gauge suitable for the non-explosion, non-crystal, non-solid and non-corrosion to the copper alloy. The pressure system consists of socket, bourdon tube and transfer mechanism and show the value through the pointer. The pressure gauge of 60, 100, and 150mm has many ways to mount: bottom mounting, bottom mounting with back flange, bottom panel mounting with front flange, back mounting, back panel mounting with front flange and so on.



CMC TECHNOLOGIES

PTY LIMITED ACN: 085 991 224, ABN: 47 085 991 224

Engineering & Industrial Instrumentation

Phone: +61 2 9669 4000
Fax: +61 2 9669 4111
Email: sales@cmctechnologies.com.au
Web Site: <http://www.cmctechnologies.net.au>

Unit 19, 77 Bourke Road,
Alexandria, NSW, 2015
AUSTRALIA

MODEL 060/100/150

Specifications

Accuracy: ϕ 60 2.5% , ϕ 100 / ϕ 150 1.5%

Range: Negative pressure 0.1-0 ; -0.1-0.06 to
-0.1-2.4MPa positive pressure ϕ 60 0-0.1 to
0-25MPa ϕ 100 ϕ 150 0-0.1 to 0-60MPa

Working pressure: Steady: 3/4 of full scale value;
Fluctuating: 3/2 of full scale value;
Short time: full scale value.

Ambient temperature:-40 ~ 70°C
(Relative humidity \leq 85%)

Temperature impact: The temperature change is not
more than 0.6%/10°C when the temperature deviates
from $20 \pm 5^\circ\text{C}$.

Bourdon tube/socket: Soft soldering for phosphor bronze
bourdon tube and brass socket. High temperature type,
40% Silver soldering available for Stainless Steel
Bourdon tube.

Internals: Copper alloy, right-handed machine ϕ 60°C20"

Case: ST13 black plastic plated

Dial: white, aluminium with black calibration line.

Pointer: Aluminium, black.

Window: common glass

Connection: 60 M14 \times 1.5; 100/150 M20 \times 1.5
Other standard available.

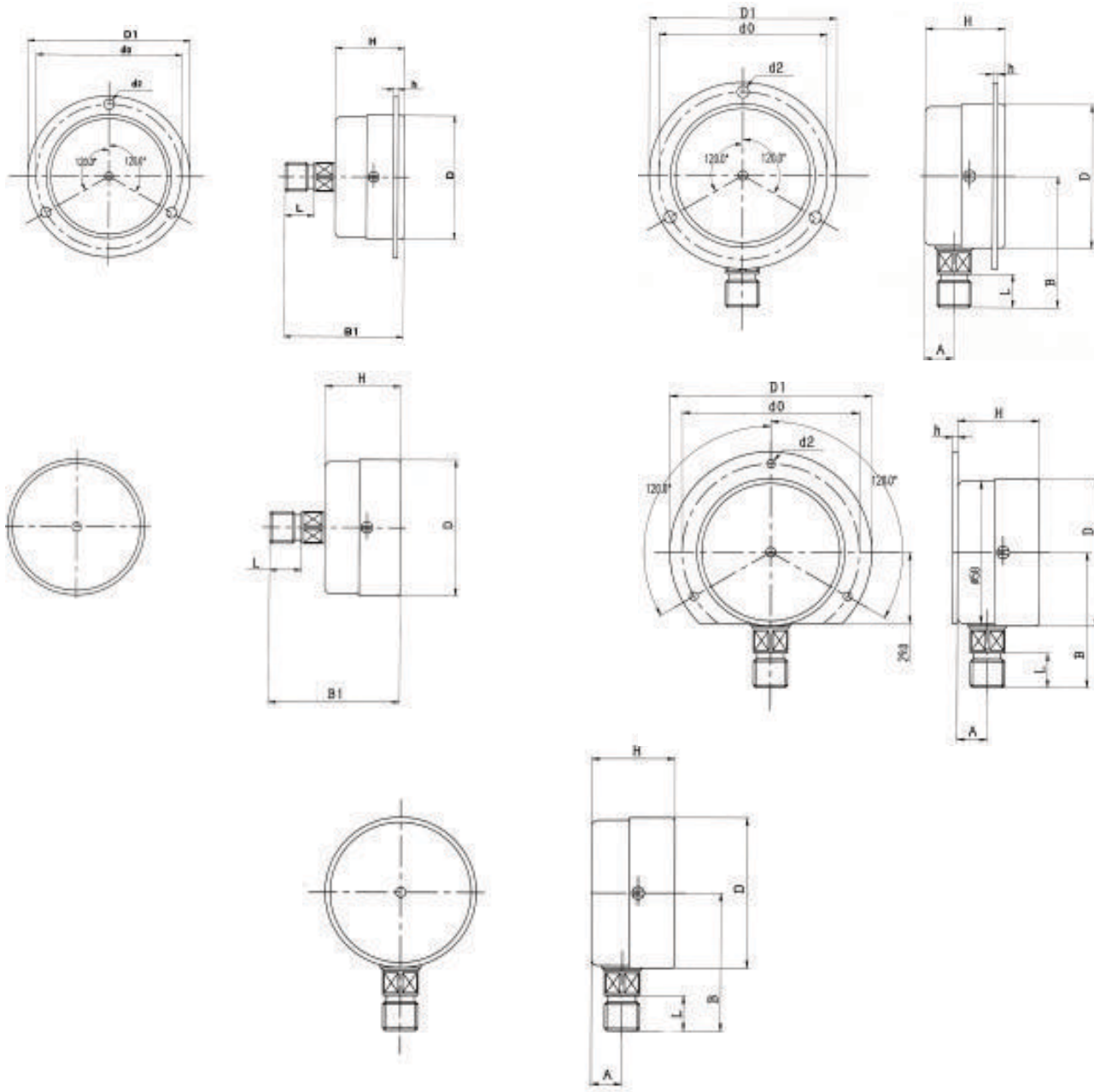
RANGES

| TABLE OF RANGES | | | | | |
|-----------------|---------------|------|----------|------|--------|
| code | ranges | code | ranges | code | ranges |
| M500 | -0.1-0MPa | M040 | 0.16 MPa | M200 | 6 MPa |
| M510 | -0.1-0.06 MPa | M060 | 0.25 MPa | M220 | 10 MPa |
| M520 | -0.1-0.15 MPa | M080 | 0.4 MPa | M230 | 16 MPa |
| M 530 | -0.1-0.3 MPa | M100 | 0.6 MPa | M240 | 25 MPa |
| M540 | -0.1-0.5 MPa | M120 | 1 MPa | M270 | 40 MPa |
| M550 | -0.1-0.9 MPa | M140 | 1.6 MPa | M280 | 60 MPa |
| M560 | -0.1-1.5 MPa | M160 | 2.5 MPa | | |
| M030 | 0.1 MPa | M180 | 4 MPa | | |
| M570 | -0.1-2.4MPa | | | | |



MODEL 060/100/150

(60) Dimensions



Unit: mm

| Typecode | D | D1 | d0 | A | B1 | B | H | h | L | d2 | b |
|--------------------------|------|----|----|------|------|----|----|-----|----|---------|---|
| Y-060. AO. 200 (Y-60) | 60 | | | 12.5 | | 55 | 33 | | 14 | | |
| Y-060. AT. 200 (Y-60TQ) | 60 | 78 | 70 | 12.3 | | 55 | 33 | 2 | 14 | 3-φ 5 | |
| Y-060. AH. 200 (Y-60T) | 60 | 82 | 72 | 12.3 | | 55 | 33 | 2 | 14 | 3-φ 3.4 | |
| Y-060. ZO. 200 (Y-60Z) | 60 | | | | 57.5 | | 33 | | 14 | | |
| Y-060. ZT. 200 (Y-60ZT) | 60 | 78 | 70 | | 57.5 | | 33 | | 14 | 3-φ 3 | |
| Y-060. AO. C20 (Y-60C) | 58.5 | | | | | 53 | 30 | | 14 | | |
| Y-060. ZO. C20 (Y-60ZC) | 58.5 | | | | 54.5 | | 30 | | 14 | | |
| Y-060. ZT. C20 (Y-60ZTC) | 58.5 | 85 | 75 | | 54.5 | | 30 | 1.5 | 14 | 3-φ 3.6 | |



CMC TECHNOLOGIES

PTY LIMITED ACN: 085 991 224, ABN: 47 085 991 224

Engineering &
Industrial
Instrumentation

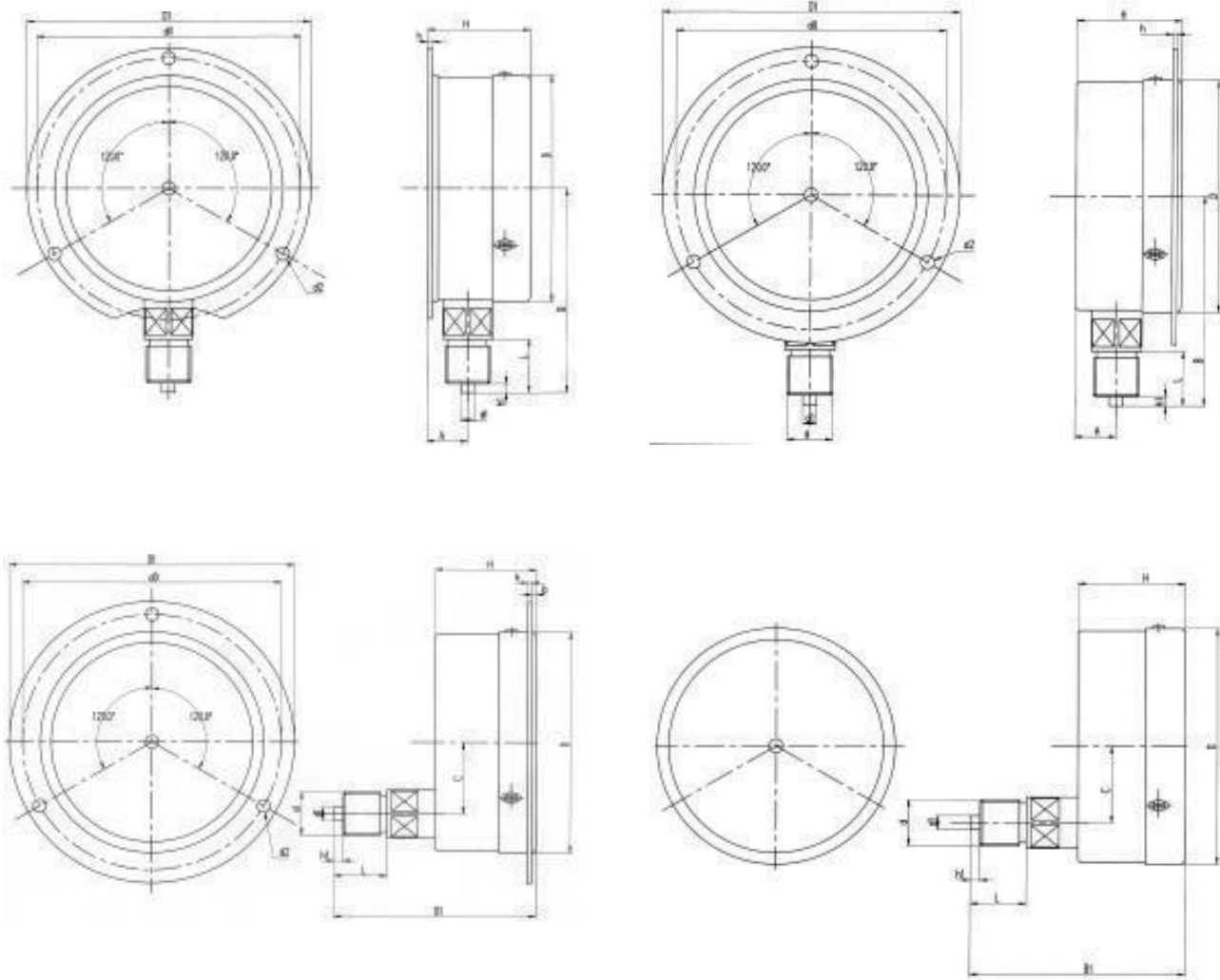
Phone: +61 2 9669 4000
Fax: +61 2 9669 4111
Email: sales@cmctechnologies.com.au
Web Site: <http://www.cmctechnologies.net.au>

Unit 19, 77 Bourke Road,
Alexandria, NSW, 2015
AUSTRALIA

MODEL 060/100/150

100/150

Dimensions



Unit (mm)

| Typecode | D | D1 | d0 | A | B1 | B | H | h | L | d2 | d1 | h1 | c |
|--------------------------|-----|-----|-----|------|----|-----|------|---|----|-------|-----|----|----|
| Y-100. AO. 200 (Y-100) | 102 | | | 18 | | 92 | 46.5 | | 20 | | φ 6 | 4 | |
| Y-100. AT. 200 (Y-100TQ) | 102 | 130 | 118 | 18 | | 92 | 46.5 | 2 | 20 | 3-φ 6 | φ 6 | 4 | |
| Y-100. AH. 200 (Y-100T) | 102 | 127 | 118 | 18 | | 92 | 46.5 | 2 | 20 | 3-φ 6 | φ 6 | 4 | |
| Y-100. BO. 200 (Y-100Z) | 102 | | | | 92 | | 46.5 | | 20 | | φ 6 | 4 | 33 |
| Y-100. BT. 200 (Y-100ZT) | 102 | 130 | 118 | | 92 | | 46.5 | 2 | 20 | 3-φ 6 | φ 6 | 4 | 33 |
| Y-150. AO. 200 (Y-150) | 150 | | | 17.5 | | 120 | 47 | | 20 | | φ 6 | 4 | |
| Y-150. AT. 200 (Y-150TQ) | 150 | 180 | 165 | 17.5 | | 120 | 47 | | 20 | | φ 6 | 4 | |
| Y-150. AH. 200 (Y-150T) | 150 | 180 | 165 | 21 | | 120 | 50.5 | 5 | 20 | 3-φ 6 | φ 6 | 4 | |
| Y-150. BO. 200 (Y-150Z) | 150 | | | | 95 | | 47 | | 20 | | φ 6 | 4 | 53 |
| Y-150. BT. 200 (Y-150ZT) | 150 | 180 | 165 | | 95 | | 47 | 2 | 20 | 3-φ 6 | φ 6 | 4 | 53 |

PA · 01 - 4



CMC TECHNOLOGIES

PTY LIMITED ACN: 085 991 224, ABN: 47 085 991 224

Engineering &
Industrial
Instrumentation

Phone: +61 2 9669 4000
Fax: +61 2 9669 4111
Email: sales@cmctechnologies.com.au
Web Site: <http://www.cmctechnologies.net.au>

Unit 19, 77 Bourke Road,
Alexandria, NSW, 2015
AUSTRALIA

HOWTO ORDER

| | CODE | CHARACTERISTICS | | | | | | |
|-------------------|-------------|---|--|--|--|--|--|--|
| Basic type | Y | General service pressure gaug | | | | | | |
| | | | | | | | | |
| Diameter | | | | | | | | |
| | 060 | φ 60 | | | | | | |
| | 100 | φ 100 | | | | | | |
| | 150 | φ 150 | | | | | | |
| Mounting | AO | Bottom mounting | | | | | | |
| | AT | Bottom mounting with front flange | | | | | | |
| | AH | Bottom mounting with back flange | | | | | | |
| | ZO | Backmounting | | | | | | |
| | ZT | Back mounting with front flange | | | | | | |
| | BO | Lowerbackmounting | | | | | | |
| | BT | Lower back mounting with front flange | | | | | | |
| Design | 200 | Iron case/ Fixed with screw | | | | | | |
| | C20 | | | | | | | |
| Ranges | M120 | 1MPa | | | | | | |
| Connection | M10 | M10 × 1 | | | | | | |
| | M14 | M14 × 1.5 | | | | | | |
| | M20 | M20 × 1.5 | | | | | | |
| | TOO | Other requests | | | | | | |
| Options | BDA | Accuracy: 1% | | | | | | |
| | BHA | Accuracy: 1.5% | | | | | | |
| | GHB | 40% Silver soldering for Stainless Steel tube | | | | | | |
| | TPB | Special Dial | | | | | | |

