



Patent Pending

Data Sheet 02-0193 06/2019

The LumiFlo® LED Light allows operators to clearly see color, flow and particulates moving through a sight glass and to visually inspect product quality, clarity, viscosity and consistency. The LumiFlo light easily attaches to most inline full view sight glasses in process fluid lines. It also allows better visual inspection during cleaning and rinsing and is essential where a sight glass is in a poorly lit or shadowed area.

Application:

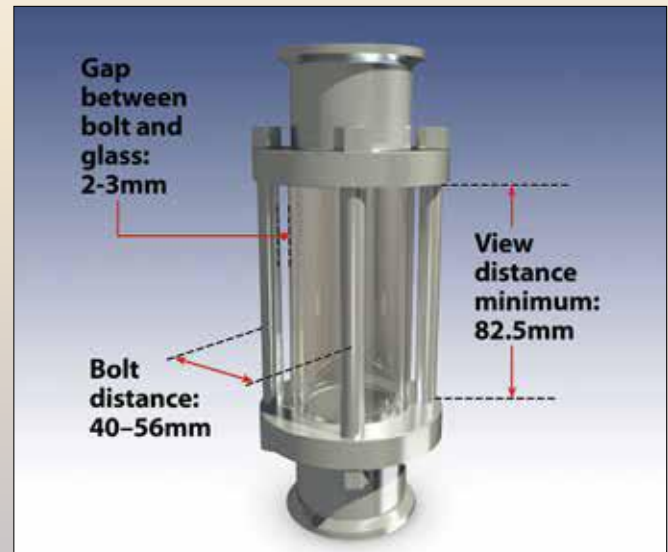
For applications where improved lighting provides optimal process visibility, LumiFlo lights fit standard sanitary and industrial full-view sight glasses for sizes 1" through 2-1/2". The LumiFlo light uses highly reliable, long-life LEDs for the perfect amount of light and optimal color temperature for a clear view of processes in the brewery, chemical, pharmaceutical, bio-tech and food & beverage processing industries.

Technical Data:

- FDA Compliant silicone enclosure with antimicrobial additives which will not yellow.
- Designed to prevent microbial and mildew growth of the silicone using nano material additives.
- Easily and securely attaches mechanically under the sight glass thru-bolts without the use of additional fasteners due to its omega design.
- Perfect color temperature light output from LED tube, with 98% CRI to identify actual process flow colors.
- Easy installation and replacement with no need to modify or disassemble sight glass.
- Operating Voltage: 24VDC with M12 Connection.
- Watertight seal for external Clean-In-Place (CIP) maintenance.
- Battery Pack accessory kit delivers several hours of power for remote hard to wire locations (available soon).
- Optional Light Shield easily clips onto the back of light, reduces unwanted glare.



LumiFlo Light Mounted On Sanitary Inline Sight Glass



Sight Glass Dimensions for Optimal LumiFlo Light Fit

Best fitted for (see drawing):

- Full-View Units 1", 1-1/2", 2" & 2-1/2"
- Thru-Bolts Distance Range: 40-56mm
- Glass to Bolt Spacing Range: 2-3mm
- View Length: 82.5mm Minimum
- Universal mounting clip available for non-standard designs