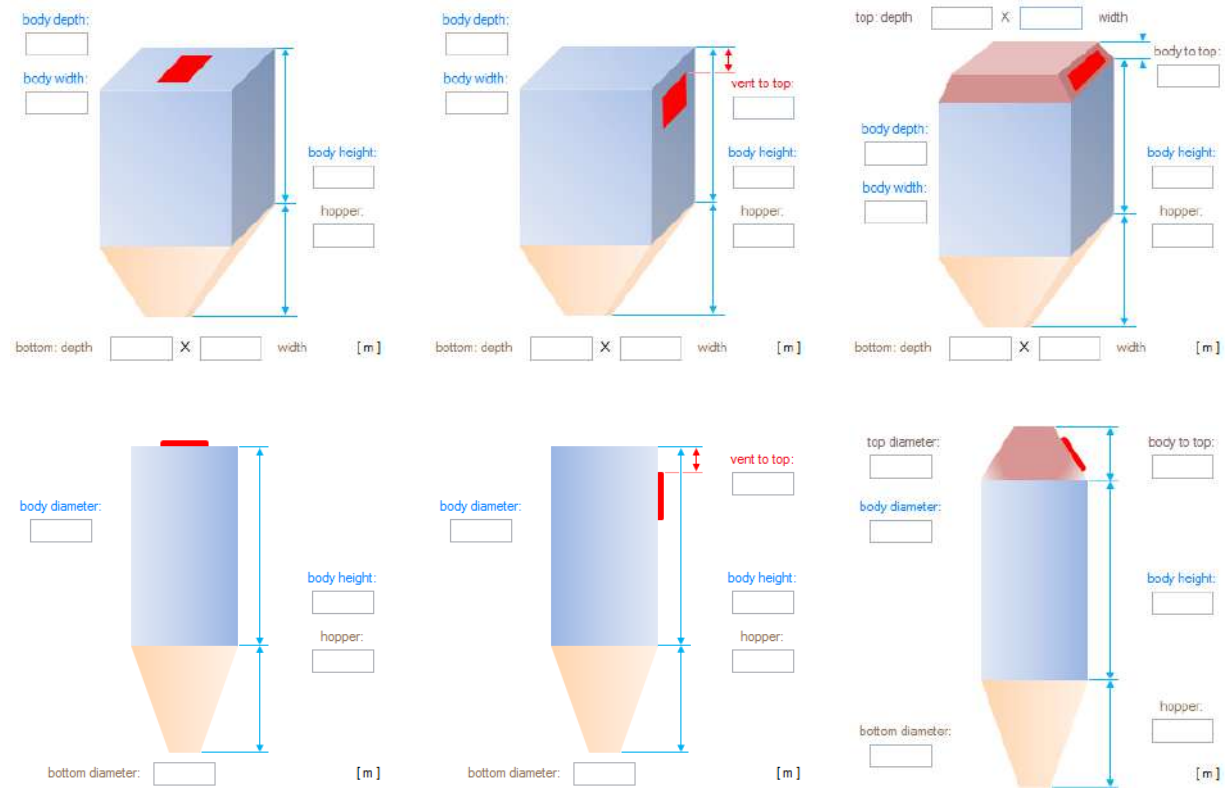
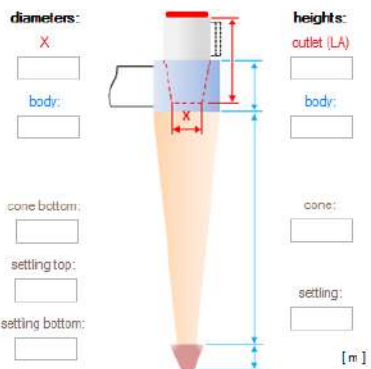
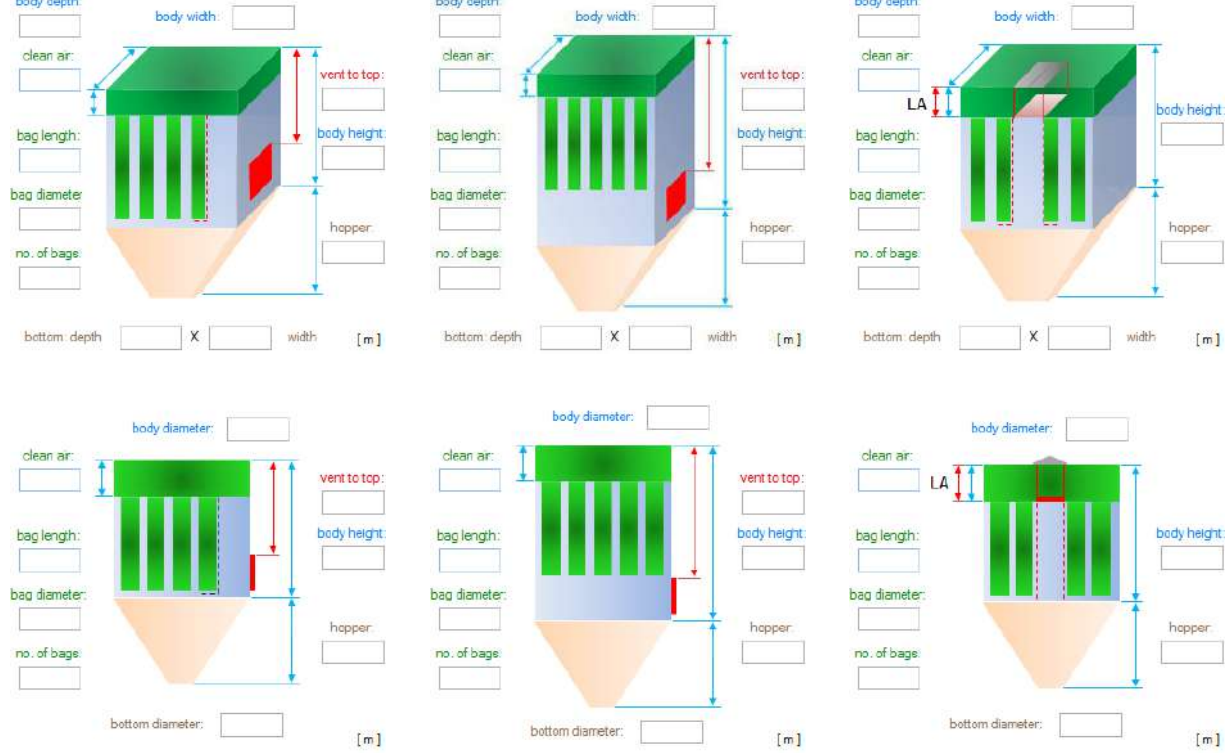


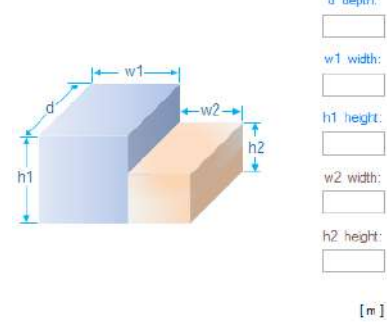
Silos, Bins and Hoppers



Dust Collectors, Filters and Cyclones



Buildings



Product Type = _____
Kst = _____

Pmax = _____
Pred = _____