

Lumistar Push-button for Ex-areas, external



3755.672



II 2G Ex db eb IIC T6 Gb
II 2D Ex tb IIC T80°C Db

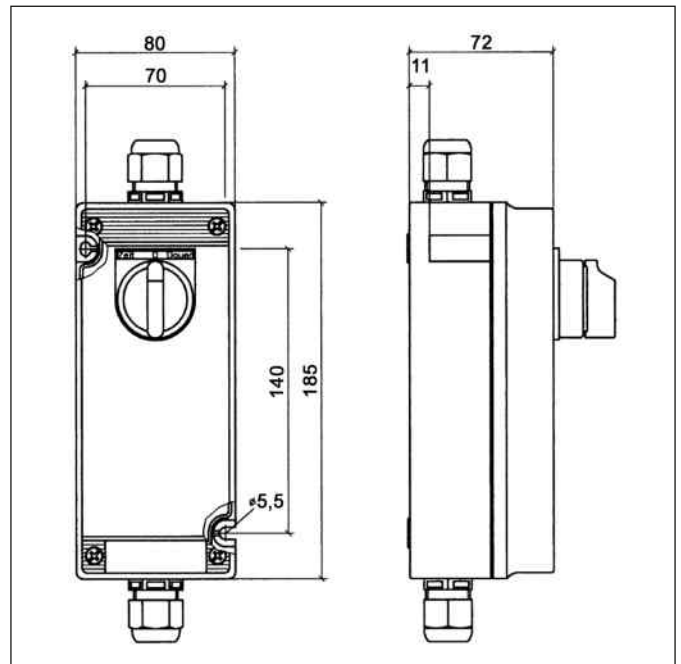
Switch to be set externally, preferably for Lumistar luminaires and other electrical equipment in Ex-areas

- **This data sheet is both installation and operating instruction**
- **The Lumistar push-button enables:**
 - the time-independent control of consumers, e.g. lighting of process sequences
 - the control of time modules in lights or other consumers
- **Settings:**
For various applications, the push-button can be set double-sided push-button/push-button or single-sided push-button and single-sided switch (switch function continuous light).
- **Assembly:**
Depending on the version, the push-button is mounted at a maximum cable length of 5 metres from the luminaire when operated with an internal timer or dimmer module.
- **Power supply:**
The voltage supply for the consumer (e.g. luminaire) is realized by the existing terminals in the button housing.



Lumistar push-button for Ex-areas, external

Pos.	Nominal voltage	Version	Part number	For use with
1	24 V, 110-240 V	push-button/ push-button	LS#1702.645.00	internal timing module
2	24 V, 110-240 V	push-button/ switch	LS#1702.649.00	without time module, button continuous operation



Dimensions for Lumistar push-button



CMC TECHNOLOGIES

PTY LIMITED ACN: 085 991 224, ABN: 47 085 991 224

Engineering &
Industrial
Instrumentation

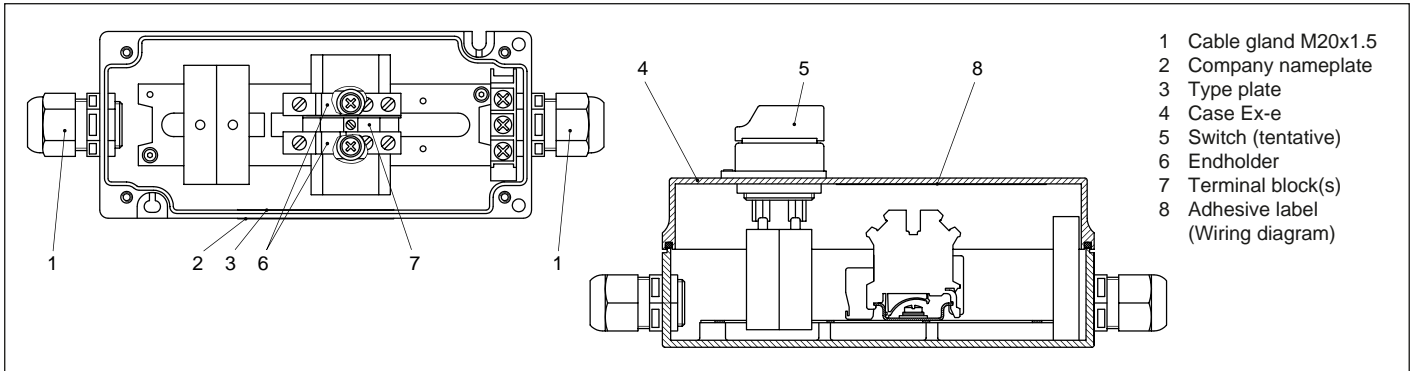
Phone: +61 2 9669 4000
Fax: +61 2 9669 4111
Email: sales@cmctechnologies.com.au
Web Site: <http://www.cmctechnologies.net.au>

Unit 19, 77 Bourke Road,
Alexandria, NSW, 2015
AUSTRALIA

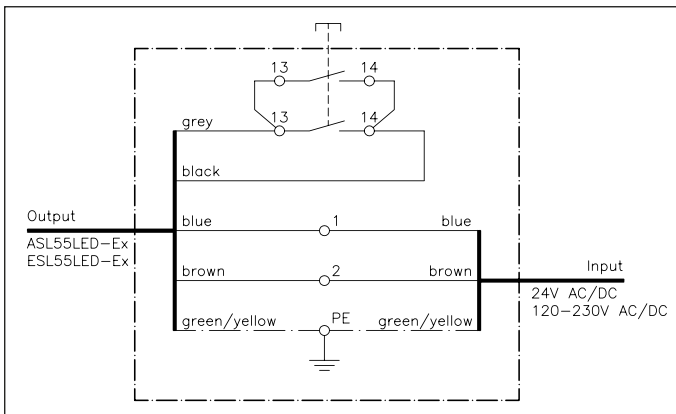
PAPENMEIER

Lumiglas

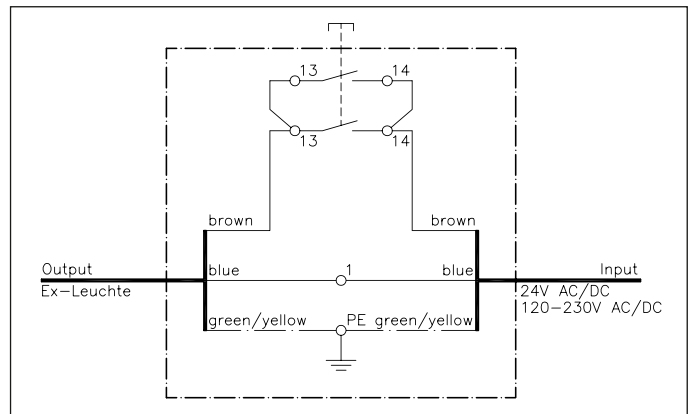
• Technical data for Lumistar push-buttons for Ex areas:



EU Type Examination Certificate	II 2G Ex db eb IIC T6 Gb II 2D Ex tb IIIC T80°C Db
Explosion Group	IIC and IIIC
Temperature class	T6 rpsc. T80°C
Degree of protection	IP66 to EN 60529/DIN VDE 0470 part 1
Operating voltages AC/DC	alternative 230-240 V; 115-120 V; 24 V
Ambient temperature	$-20^{\circ}\text{C} \leq T_a \leq +40^{\circ}\text{C}$
Connections	max. 2.5 mm ² , fine wire
Case	polyester resin (GF)



for internal time module



for push-button/continuous light operation

Installation Instructions

• Important notes:

- The button may only be installed in the Ex-area by personnel expressly trained and authorised for this purpose be connected and maintained.
- The operating permit expires in case of improper use of the device.

• Electrical connection:

- The button is connected to the supply line to the consumer. Use cables with a diameter of 6-13 mm for the cable glands M20x1.5.
- The valid installation regulations DIN EN 60079-14 must be observed.

- For connection the housing cover must be unscrewed. A connection diagram is located in the housing cover.
- After the electrical connection the housing cover under consideration of the proper sealing to unscrew again.

• Protection:

- A back-up fuse is provided externally in accordance with the connecting cable to be provided.

All dimensions in mm unless stated otherwise. Picture credits: ©F.H. Papenmeier GmbH & Co. KG. Subject to change without prior notice. 05.20