



KITO

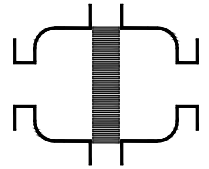
Armaturen GmbH

Type sheet

Uni-directional in-line deflagration flame arrester, short-time burning proof

KITO® RV/N-IIA-1000/...-1.2-X08

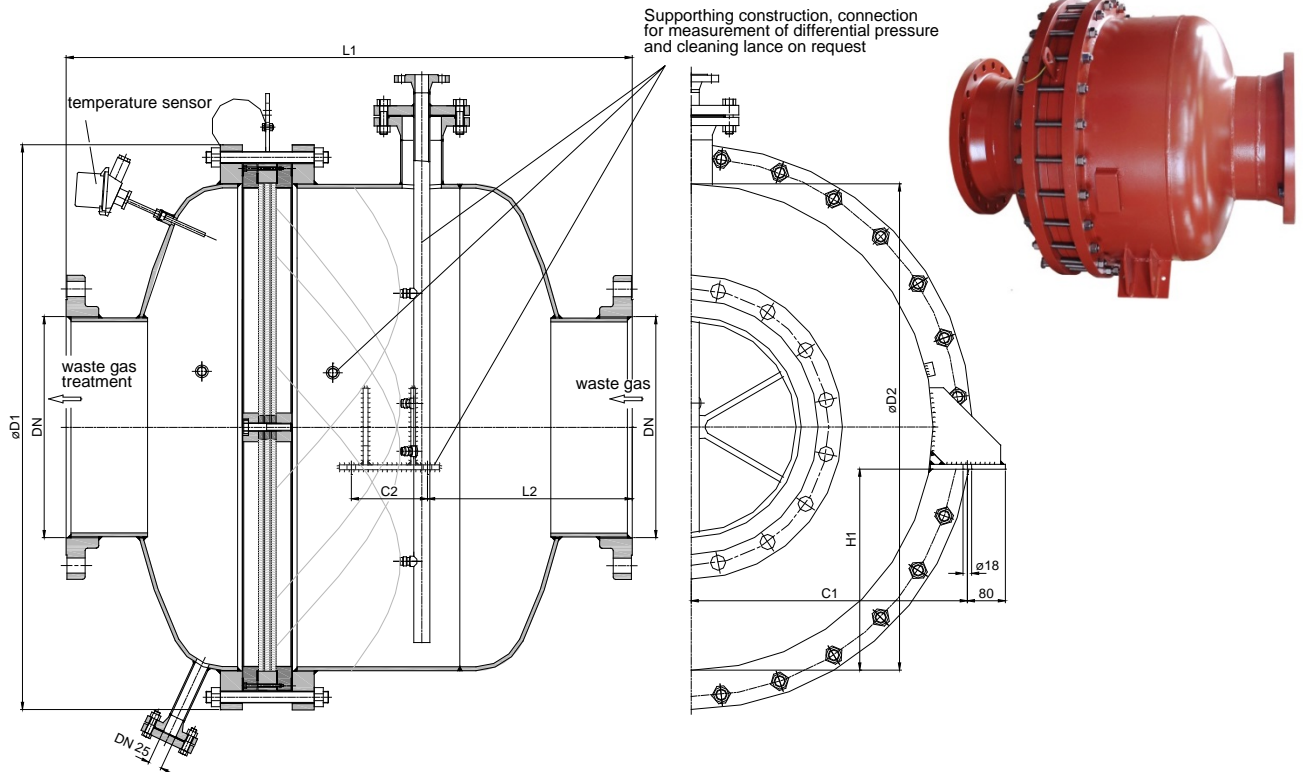
KITO® RV/N-IIA-1000/...-1.2-X08-T



Application

Intermediate armature, mainly installed as in-line deflagration flame arrester in pipes to thermal incineration plants for vapor/air and air/gas mixtures. Unilaterally working in pipes, whereby an operating pressure of 1.2 bar abs. and an operating temperature of 80 °C must not be exceeded. Approved for all substances of the explosion group IIA with a MESG > 0.9 mm. The maximum length of the pipes from the KITO® flame arrester to the ignition source is limited (L/D tube length/tube diameter). It is only allowed to install the device in pipes with nominal widths ≤ than the nominal width of the armature (DN). The temperature sensors (2 pieces, arranged on one side) serves to trigger an emergency function, e.g. shutting off or inerting the gas flow if a stabilized burning occurs at the KITO® flame arrester. Proof against “stabilized burning” and withstand this up to a max. burn time BT = 1.0 min.

Dimension (mm)



NG	DN		D1	D2	L1	L2	C1	C2	H1	max. L/D*	kg	kg
	DIN	ASME									(DN)	(ASME)
1000	400	16"	1180	1016	1190	405	580	210	420	50	824	862
	450	18"									821	879
	500	20"									839	939
	600	24"										

Weight refers to the standard design

* Ratio of pipe length to nominal pipe diameter

Example for order

KITO® RV/N-IIA-1000/400-1.2-X08-T

(Design NG 1000 with flange connection DN 400 PN 10 and two temperature sensors)

Type examination certificate to EN ISO 16852 and CE-marking in accordance to ATEX-Directive 2014/34/EU



CMC TECHNOLOGIES

PTY LIMITED ACN: 085 991 224, ABN: 47 085 991 224

Engineering & Industrial Instrumentation

Phone: +61 2 9669 4000
Fax: +61 2 9669 4111
Email: sales@cmctechnologies.com.au
Web Site: <http://www.cmctechnologies.net.au>

Unit 19, 77 Bourke Road,
Alexandria, NSW, 2015
AUSTRALIA

H 26.2 N

Date: 05-2018

Created: Abt. Doku KITO

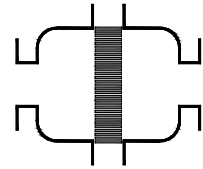
Design subject to change

Type sheet

Uni-directional in-line deflagration flame arrester, short-time burning proof

KITO® RV/N-IIA-1000/...-1.2-X08

KITO® RV/N-IIA-1000/...-1.2-X08-T



Design

	standard	optionally
housing	steel	stainless steel mat. no. 1.4301 / 1.4571
gasket	HD 3822	PTFE
KITO®-flame arrester element	completely interchangeable	
KITO®-casing	steel	stainless steel mat. no. 1.4301 / 1.4571
KITO®-grid	stainless steel mat. no. 1.4310	stainless steel mat. no. 1.4571
temperature sensor		2x PT 100, connection 3/8", 1.4571
condensate drain connecting piece	blank flanged	
flange connection	EN 1092-1 type A	ASME B16.5 Class 150 RF

Performance curves

Flow capacity V based on air of a density $\rho = 1.29 \text{ kg/m}^3$ at $T = 273 \text{ K}$ and atmospheric pressure $p = 1.013 \text{ mbar}$. For other gases the flow can be approximately calculated by

$$\dot{V} = \dot{V}_b \cdot \sqrt{\frac{\rho_b}{1.29}} \quad \text{or} \quad \dot{V}_b = \dot{V} \cdot \sqrt{\frac{1.29}{\rho_b}}$$

