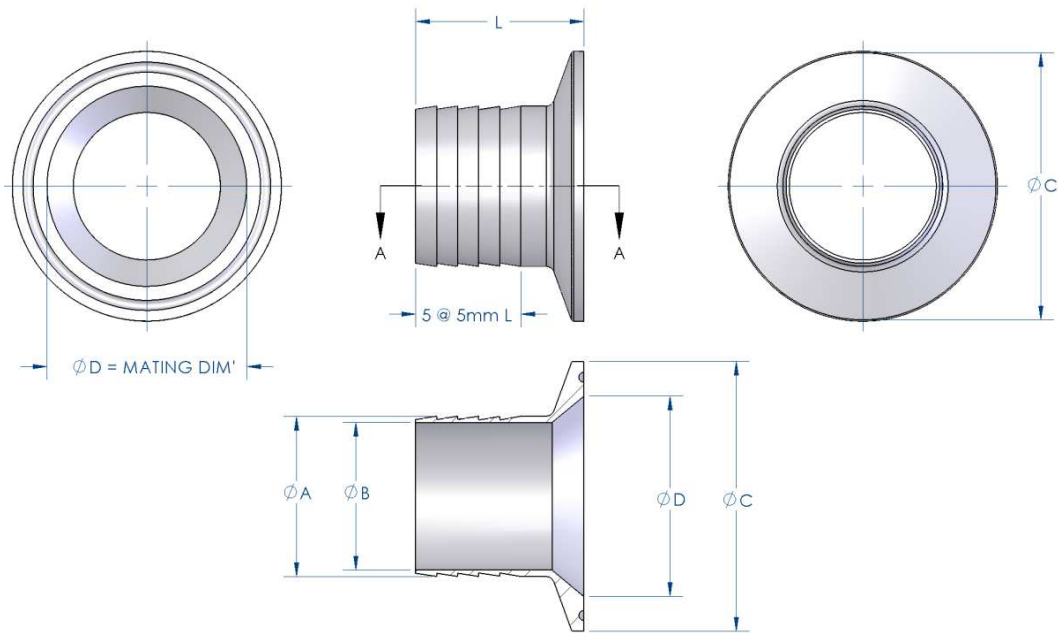


PHARMACEUTICAL HOSE-TAILS METRIC

Material	316L / 1.4404
Surface Finish	0.8 Ra(µm) / 32 Ra(µin)
Manufactured	3.1b Certified- Solid Bar



FERRULE TO HOSETAIL - METRIC

Ferrule - Hose-Tail Size		Dimensions (mm)					Mass (Kg)	Ordering Code
		Hose OD ØA	Hose ID ØB	Flange ØC	Mating ØD	Length L		
FERRULE	HOSE							
DN10	- 1/4"	6.4	3.4	34.0	10.0	40	0.04	HT.D10.025
	- 3/8"	9.5	6.5	34.0	10.0	40	0.04	HT.D10.038
	- 1/2"	12.7	9.7	34.0	10.0	40	0.04	HT.D10.050
	- 3/4"	19.0	16.0	34.0	10.0	40	0.04	HT.D10.075
DN15	- 1/4"	6.4	3.4	34.0	16.0	40	0.04	HT.D15.025
	- 3/8"	9.5	6.5	34.0	16.0	40	0.04	HT.D15.038
	- 1/2"	12.7	9.7	34.0	16.0	40	0.04	HT.D15.050
	- 3/4"	19.0	16.0	34.0	16.0	40	0.04	HT.D15.075
DN20	- 1/4"	6.4	3.4	34.0	20.0	40	0.04	HT.D20.025
	- 3/8"	9.5	6.5	34.0	20.0	40	0.04	HT.D20.038
	- 1/2"	12.7	9.7	34.0	20.0	40	0.04	HT.D20.050
	- 3/4"	19.0	16.0	34.0	20.0	40	0.04	HT.D20.075
1/2"	- 8 x 5	8.0	5.0	25.4	10.0	32	0.02	HT.050.008
	- 14 x 11	14.0	11.0	25.4	10.0	40	0.02	HT.050.014
	- 16 x 13	16.0	13.0	25.4	10.0	40	0.02	HT.050.016
3/4"	- 8 x 5	8.0	5.0	25.4	16.0	32	0.02	HT.075.008
	- 14 x 11	14.0	11.0	25.4	16.0	40	0.02	HT.075.014
	- 16 x 13	16.0	13.0	25.4	16.0	40	0.02	HT.075.016
1"	- 8 x 5	8.0	5.0	50.5	22.5	40	0.02	HT.100.008
	- 14 x 11	14.0	11.0	50.5	22.5	40	0.08	HT.100.014
	- 16 x 13	16.0	13.0	50.5	22.5	40	0.08	HT.100.016
	- 22 x 19	22.0	19.0	50.5	22.5	40	0.09	HT.100.022
1 1/2"	- 8 x 5	8.0	5.0	50.5	35.0	40	0.07	HT.150.008
	- 14 x 11	14.0	11.0	50.5	35.0	40	0.08	HT.150.014
	- 16 x 13	16.0	13.0	50.5	35.0	40	0.08	HT.150.016
	- 22 x 19	22.0	19.0	50.5	35.0	40	0.09	HT.150.022



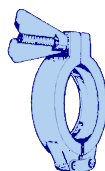
CMC TECHNOLOGIES

PTY LIMITED ACN: 085 991 224, ABN: 47 085 991 224

Engineering &
Industrial
Instrumentation

Phone: +61 2 9669 4000
Fax: +61 2 9669 4111
Email: sales@cmctechnologies.com.au
Web Site: <http://www.cmctechnologies.net.au>

Unit 19, 77 Bourke Road,
Alexandria, NSW, 2015
AUSTRALIA



Advanced Couplings Ltd