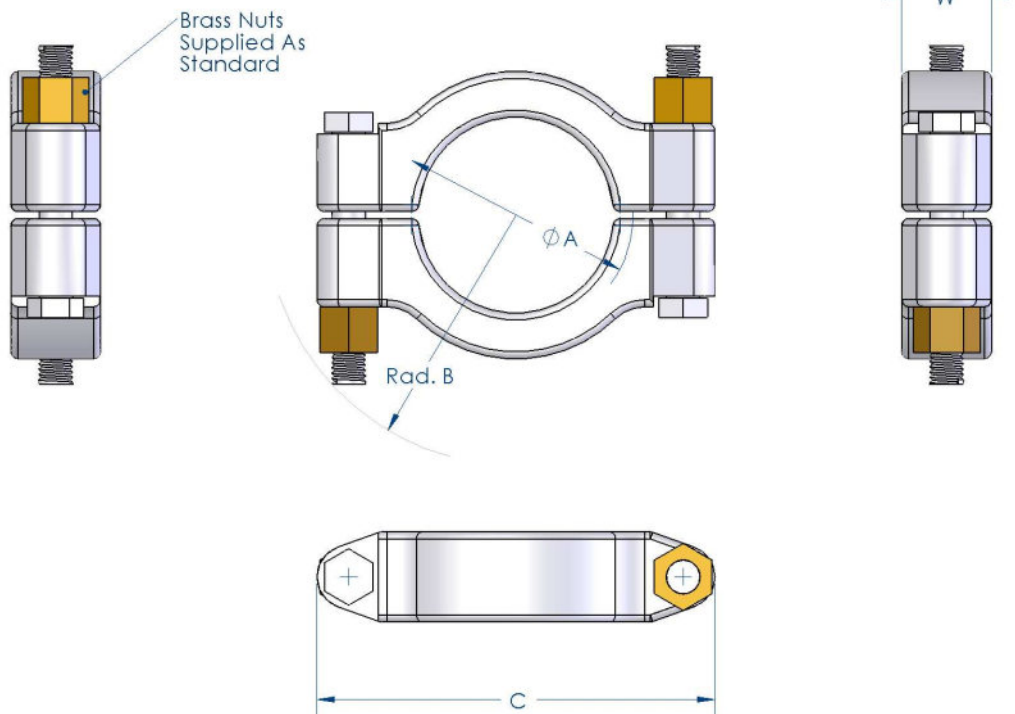


# PHARMACEUTICAL CLAMPS SSH-TYPE

<b>Material</b>	304/1.4301 – 316/ 1.4401
<b>Application</b>	Heavy Duty
<b>Hinge Lay-Out</b>	Separate Segments



## SSH TYPE CLAMP

Nominal Clamp Size	Dimension (mm)				Mass (Kg)	Ordering Codes SSH 304 Mat'l	Ordering Codes SSH 316 Mat'l
	Flange ØA	Rad. B	Length C	Width W			
1/2" - 3/4"	25.4	34.0	65.0	16.0	0.16	CL.SSH.0050.4	CL.SSH.0050.6
DN 10/15/20	34.0	39.0	74.0	18.0	0.22	CL.SSH.D010.4	CL.SSH.D010.6
1"-1 1/2"	50.5	60.0	103.0	26.0	0.66	CL.SSH.0100.4	CL.SSH.0100.6
2"	64.0	67.0	113.0	26.0	0.82	CL.SSH.0200.4	CL.SSH.0200.6
2 1/2"	77.5	75.0	128.0	26.0	0.94	CL.SSH.0250.4	CL.SSH.0250.6
3"	91.0	80.0	137.0	26.0	1.02	CL.SSH.0300.4	CL.SSH.0300.6
3 1/2"	106.0	88.0	150.0	26.0	1.07	CL.SSH.0350.4	CL.SSH.0350.6
4"	119.0	93.0	165.0	26.0	1.27	CL.SSH.0400.4	CL.SSH.0400.6
4 1/2"	130.0	97.0	174.0	26.0	1.33	CL.SSH.0450.4	CL.SSH.0450.6
6"	167.0	132.0	240.0	26.0	1.93	CL.SSH.0600.4	CL.SSH.0600.6
6 5/8"	183.0	142.0	260.0	26.0	2.11	CL.SSH.0658.4	CL.SSH.0658.6
8 5/8"	233.0	168.0	318.0	26.0	2.52	CL.SSH.0858.4	CL.SSH.0858.6

# Stainless Steel Nuts Can Be Supplied As Direct Replacements To The Standard Brass Nuts

