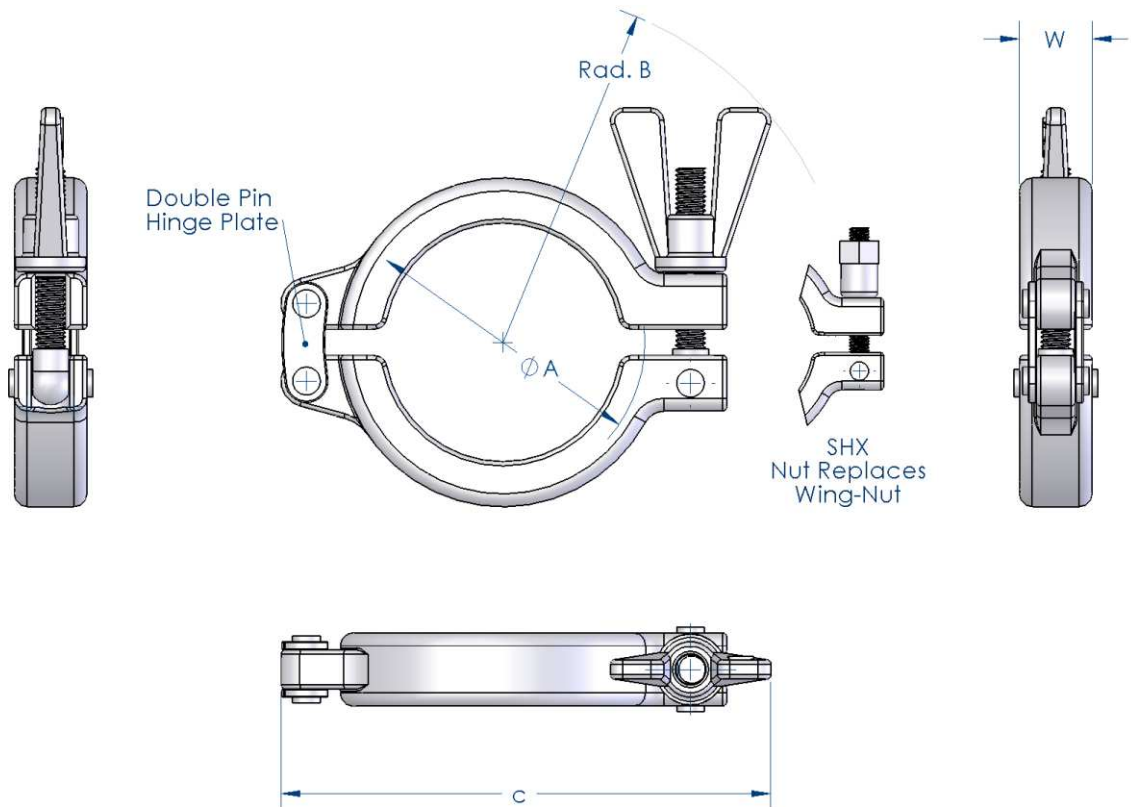


<b>Material</b>	316 / 1.4401
<b>Application</b>	Normal / Heavy Duty
<b>Hinge Lay-Out</b>	Double Rivet Hinge Plate

# PHARMACEUTICAL CLAMPS SH-TYPE - SINGLE BOLT



## SH TYPE CLAMP - SINGLE BOLT

Nominal Clamp Size	Dimension (mm)				Mass (Kg)	Ordering Codes SH	Ordering Codes SHX
	Flange ØA	Rad. B	Length C	Width W			
1/2"-3/4"	25.4	63.0	75.0	17.0	0.15	CL.SH.0050	CL.SHX.0050
1"-1 1/2"	50.5	77.0	102.0	17.0	0.25	CL.SH.0100	CL.SHX.0100
2"	64.0	93.0	123.0	17.0	0.33	CL.SH.0200	CL.SHX.0200
2 1/2"	77.5	100.0	140.0	17.0	0.38	CL.SH.0250	CL.SHX.0250
3"	91.0	105.0	150.0	17.0	0.44	CL.SH.0300	CL.SHX.0300
3 1/2"	106.0	110.0	165.0	17.0	0.44	CL.SH.0350	CL.SHX.0350
4"	119.0	119.0	185.0	17.0	0.57	CL.SH.0400	CL.SHX.0400
4 1/2"	130.0	119.0	191.0	17.0	0.60	CL.SH.0450	CL.SHX.0450
5"	144.0	131.0	215.0	19.0	0.75	CL.SH.0500	CL.SHX.0500
5 1/2"	155.0	155.0	252.0	24.0	1.39	CL.SH.0550	CL.SHX.0550
6"	167.0	156.0	262.0	24.0	1.38	CL.SH.0600	CL.SHX.0600
6 5/8"	183.0	164.0	280.0	24.0	1.61	CL.SH.0658	CL.SHX.0658
8"	217.0	184.0	325.0	24.0	2.11	CL.SH.0800	CL.SHX.0800
8 5/8"	233.0	185.0	333.0	24.0	2.25	CL.SH.0858	CL.SHX.0858

