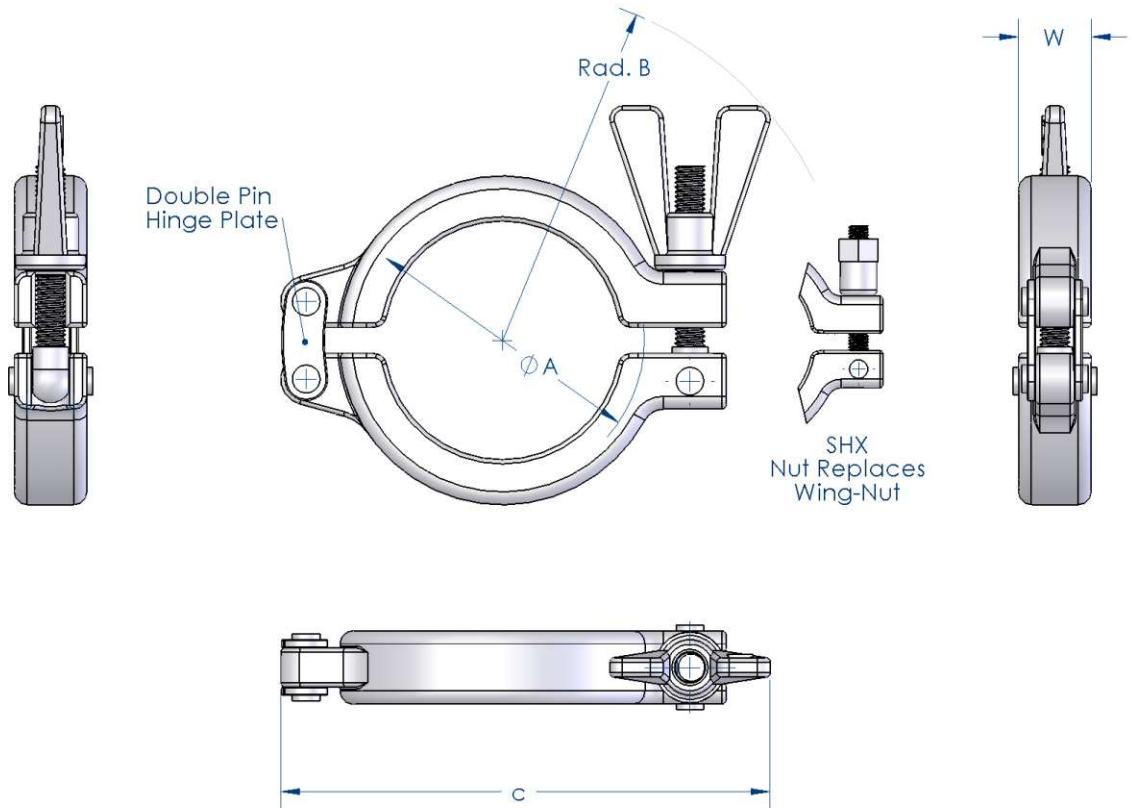


Material	316 / 1.4401
Application	Normal / Heavy Duty
Hinge Lay-Out	Double Rivet Hinge Plate

PHARMACEUTICAL CLAMPS SH-TYPE - METRIC SIZES



SH TYPE CLAMP - METRIC

Metric Clamp Size	Dimension (mm)				Mass (Kg)	Ordering Codes SH	Ordering Codes SHX
	Flange ØA	Rad. B	Length C	Width W			
10/15/20	34.0	67.0	85.0	17.0	0.17	CL.SH.D010	CL.SHX.D010
25	50.5	88.0	109.0	17.0	0.22	CL.SH.D025	CL.SHX.D025
50	64.0	93.0	123.0	17.0	0.28	CL.SH.D050	CL.SHX.D050
65	91.0	105.0	150.0	17.0	0.44	CL.SH.0300	CL.SHX.0300
80	106.0	110.0	165.0	17.0	0.44	CL.SH.0350	CL.SHX.0350
100	119.0	119.0	185.0	17.0	0.57	CL.SH.0400	CL.SHX.0400
125	155.0	155.0	252.0	24.0	1.39	CH.SH.0550	CH.SHX.0550
150	183.0	164.0	280.0	24.0	1.61	CL.SH.0658	CL.SHX.0658
200	233.0	185.0	333.0	24.0	2.25	CL.SH.0858	CL.SHX.0858
250*	268.0	213.0	382.0	24.0	2.78	CL.SH.1000	CL.SHX.1000
300*	319.0	242.0	458.0	24.0	3.69	CL.SH.1200	CL.SHX.1200

* = Double Bolt Only

