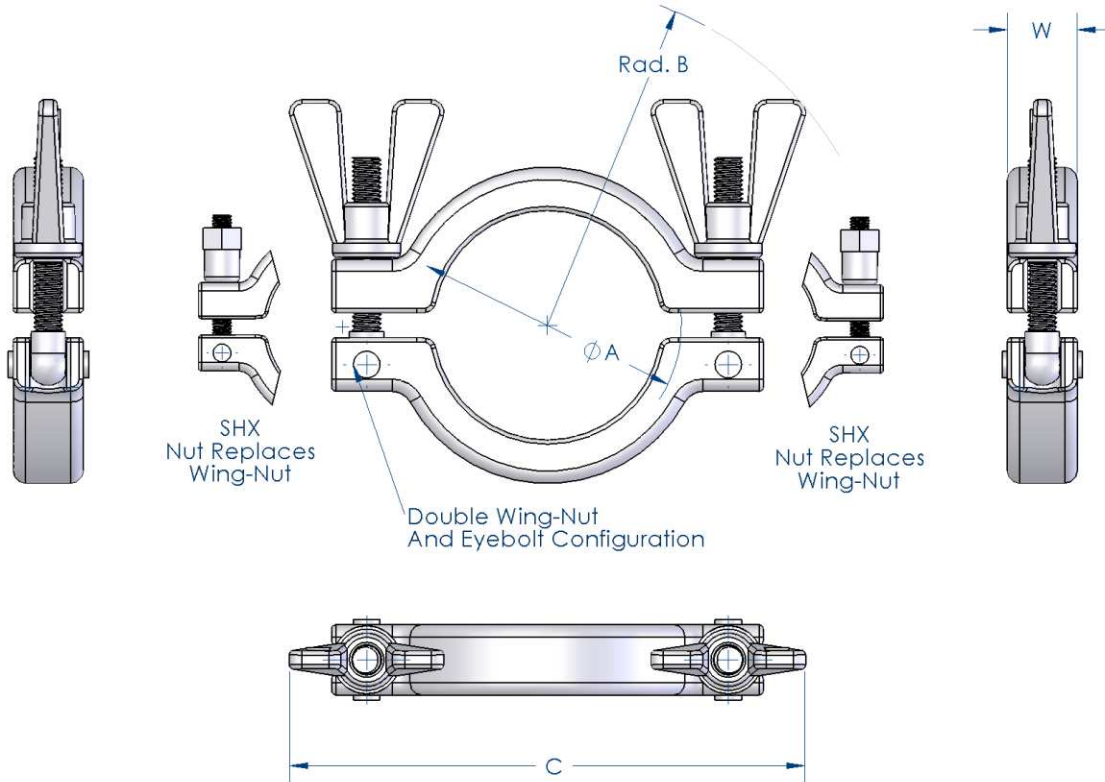


# PHARMACEUTICAL CLAMPS

## SH-TYPE CLAMP - DOUBLE BOLT

<b>Material</b>	316 / 1.4401
<b>Application</b>	Normal / Heavy Duty
<b>Hinge Lay-Out</b>	Length Adjustable Eyebolt



### SH TYPE CLAMP - DOUBLE BOLT

Nominal Clamp Size	Dimension (mm)				Mass (Kg)	Ordering Codes SH	Ordering Codes SHX
	Flange ØA	Rad. B	Length C	Width W			
5 1/2"	155.0	155.0	265.0	24.0	1.47	CL.SHD.0550	CL.SHDX.0550
6"	167.0	156.0	277.0	24.0	1.67	CL.SHD.0600	CL.SHDX.0600
6 5/8"	183.0	164.0	297.0	24.0	1.69	CL.SHD.0658	CL.SHDX.0658
8"	217.0	184.0	332.0	24.0	2.19	CL.SHD.0800	CL.SHDX.0800
8 5/8"	233.0	185.0	353.0	24.0	2.34	CL.SHD.0858	CL.SHDX.0858
10"	268.0	205.0	382.0	24.0	2.78	CL.SHD.1000	CL.SHDX.1000
10 5/8"	286.0	213.0	405.0	24.0	2.97	CL.SHD.1058	CL.SHDX.1058
12"	319.0	242.0	458.0	24.0	3.69	CL.SHD.1200	CL.SHDX.1200
12 5/8"	338.0	243.0	463.0	24.0	3.37	CL.SHD.1258	CL.SHDX.1258



**CMC TECHNOLOGIES**

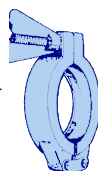
PTY LIMITED ACN: 085 991 224, ABN: 47 085 991 224

2.4

Engineering &  
Industrial  
Instrumentation

Phone: +61 2 9669 4000  
Fax: +61 2 9669 4111  
Email: [sales@cmctechnologies.com.au](mailto:sales@cmctechnologies.com.au)  
Web Site: <http://www.cmctechnologies.net.au>

Unit 19, 77 Bourke Road,  
Alexandria, NSW, 2015  
AUSTRALIA



**Advanced Couplings Ltd**