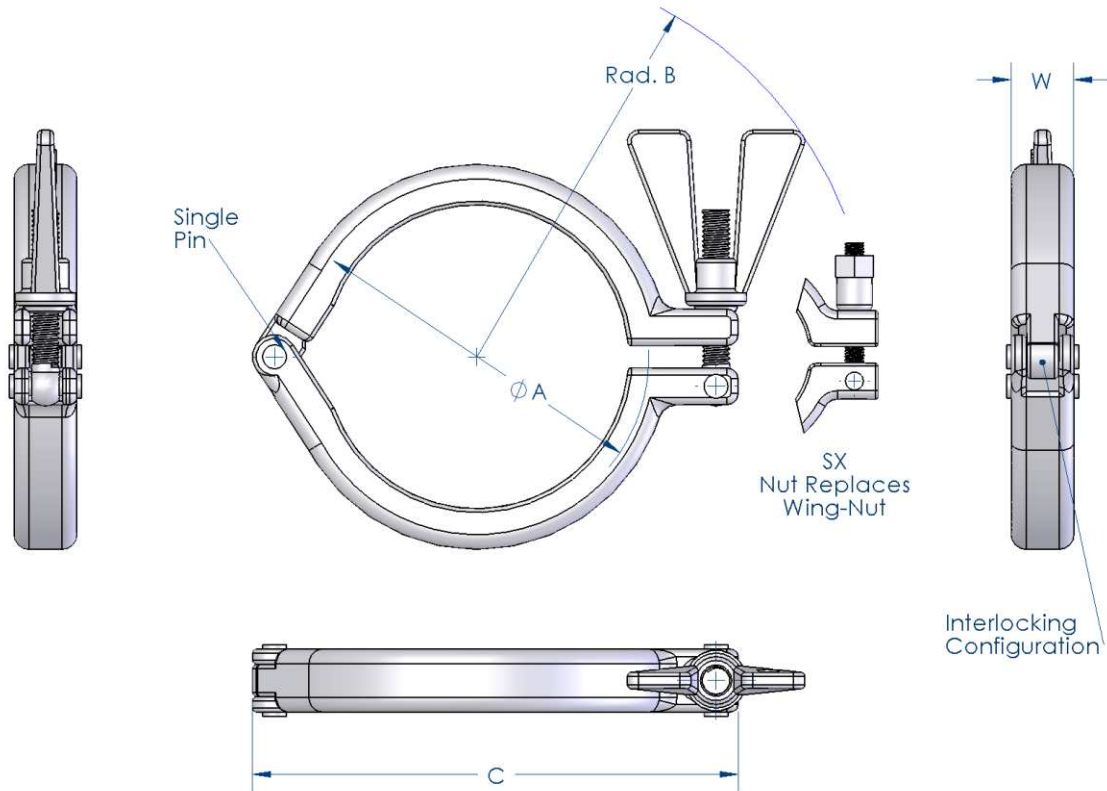


PHARMACEUTICAL CLAMPS S-TYPE

Material	304 / 1.4301
Application	Light Duty
Hinge Lay-Out	Single Interlocking Rivet



S TYPE CLAMP

Nominal Clamp Size	Dimension (mm)				Mass (kg)	Ordering Codes S	Ordering Codes SX
	Flange ØA	Rad. B	Length C	Width W			
1/2"-3/4"	25.4	63.0	60.0	17.0	0.13	CL.S.0050	CL.SX.0050
DIN 10/15/20	34.0	73.0	69.0	17.0	0.17	CL.S.D010	CL.SX.D010
1"-1 1/2"	50.5	78.0	85.0	17.0	0.21	CL.S.0100	CL.SX.0100
2"	64.0	82.0	99.0	17.0	0.25	CL.S.0200	CL.SX.0200
2 1/2"	77.5	89.0	112.0	17.0	0.35	CL.S.0250	CL.SX.0250
3"	91.0	96.0	126.0	17.0	0.42	CL.S.0300	CL.SX.0300
3 1/2"	106.0	103.0	140.0	17.0	0.44	CL.S.0350	CL.SX.0350
4"	119.0	110.0	154.0	17.0	0.51	CL.S.0400	CL.SX.0400
4 1/2"	130.0	115.0	165.0	17.0	0.60	CL.S.0450	CL.SX.0450
6"	167.0	134.0	216.0	25.0	0.88	CL.S.0600	CL.SX.0600



CMC TECHNOLOGIES

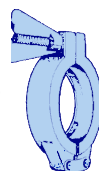
PTY LIMITED ACN: 085 991 224, ABN: 47 085 991 224

2.2

Engineering &
Industrial
Instrumentation

Phone: +61 2 9669 4000
Fax: +61 2 9669 4111
Email: sales@cmctechnologies.com.au
Web Site: <http://www.cmctechnologies.net.au>

Unit 19, 77 Bourke Road,
Alexandria, NSW, 2015
AUSTRALIA



Advanced Couplings Ltd