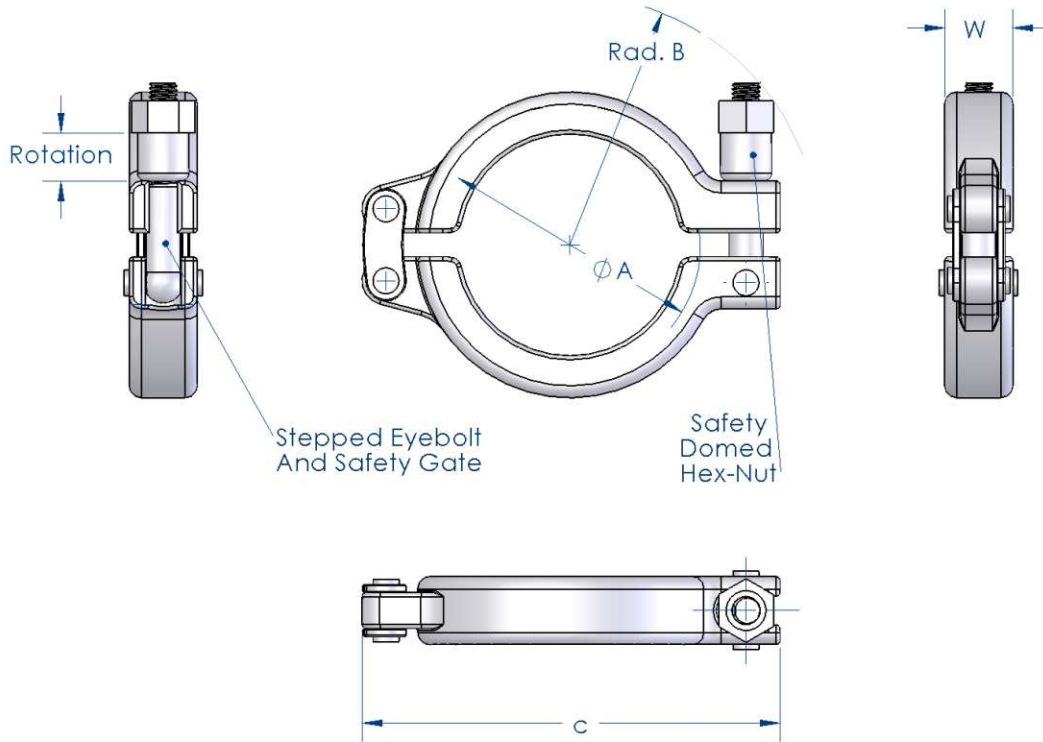


PHARMACEUTICAL SAFETY CLAMPS SAFX-TYPE

Material	316/1.4404
Application	Normal / Heavy Duty
Safety Feature	Safety Gate, Eye-Bolt & Nut



SAFX - SH SAFETY CLAMP SAFETY GATE / STEPPED EYEBOLT RECESSED DOMED NUT

SAFETY CLAMP / NEX NUT - SAFX							
Nominal Clamp Size	Dimension (mm)				Wing-Nut Release Rotations	Mass (Kg)	Ordering Codes SAFX
	Flange ØA	Rad. B	Length C	Width W			
1/2"-3/4"	25.4	53.0	65.0	17.0	9	0.14	CL.SAFX.0050
DN 10/15/20	34.0	57.0	75.0	17.0	9	0.16	CL.SAFX.D010
1"-1 1/2"	50.5	72.0	92.0	17.0	10	0.24	CL.SAFX.0100
2"	64.0	83.0	113.0	17.0	10	0.32	CL.SAFX.0200
2 1/2"	77.5	90.0	130.0	17.0	10	0.37	CL.SAFX.0250
3"	91.0	95.0	140.0	17.0	10	0.43	CL.SAFX.0300
3 1/2"	106.0	100.0	155.0	17.0	10	0.43	CL.SAFX.0350
4"	119.0	109.0	175.0	17.0	10	0.56	CL.SAFX.0400

Wing-nut rotations are measured from the clamp starting in its optimum clamping position (segments parallel when assembled), to the safety eyebolt being able to swing free.

One rotation = 360°

Safety clamps can also be offered in 304 material, please contact our sales staff for availability.



CMC TECHNOLOGIES

PTY LIMITED ACN: 085 991 224, ABN: 47 085 991 224

Engineering &
Industrial
Instrumentation

Phone: +61 2 9669 4000
Fax: +61 2 9669 4111
Email: sales@cmctechnologies.com.au
Web Site: <http://www.cmctechnologies.net.au>

Unit 19, 77 Bourke Road,
Alexandria, NSW, 2015
AUSTRALIA

Advanced Couplings Ltd

Thwaites Bridge | Keighley | West Yorkshire | BD21 4LJ | UK
Tel: 0044 (0) 1535 669 216 | Fax: 0044 (0) 1535 610 243
e-mail: sales@advanced-couplings.co.uk
web: www.advanced-couplings.co.uk