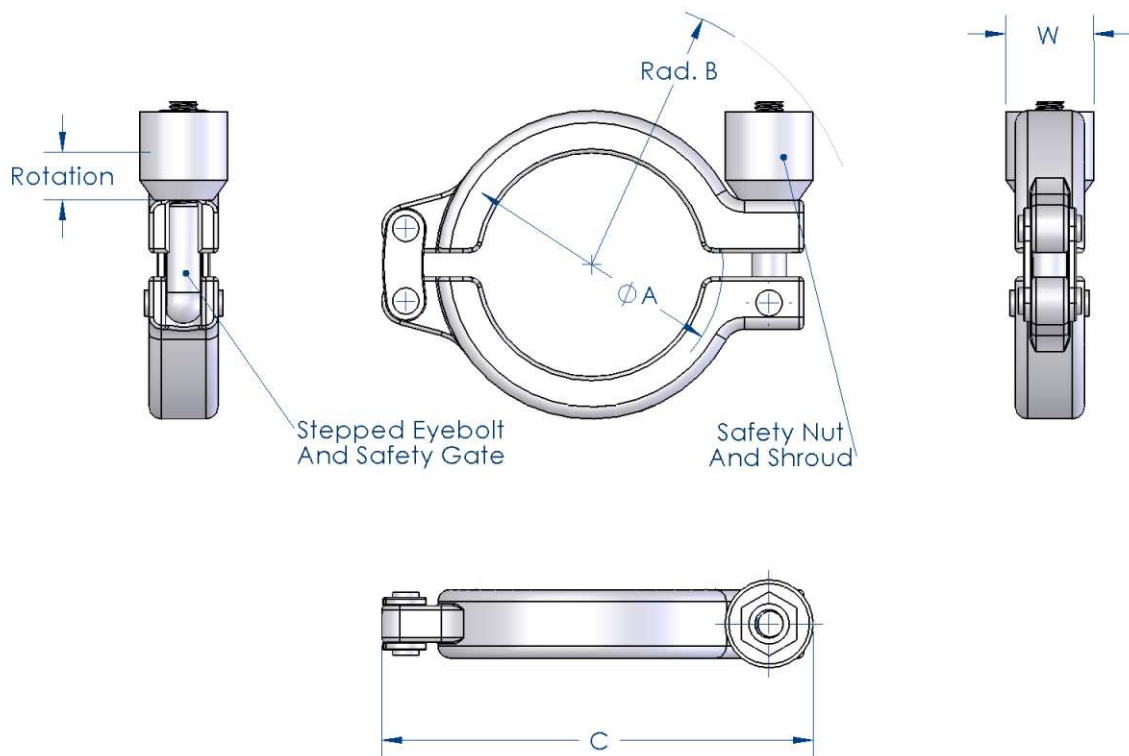


Material	316/1.4401
Application	Normal / Heavy Duty
Safety Feature	Safety Gate, Eye-Bolt & Shroud

PHARMACEUTICAL SAFETY CLAMPS SAFS-TYPE



SAFS - SH SAFETY CLAMP SAFETY GATE / STEPPED EYEBOLT SHROUDED RECESSED DOMED NUT

SAFETY CLAMP / SHROUDED HEX NUT - SAFS							
Nominal Clamp Size	Dimension (mm)				Nut Release Rotations	Mass (Kg)	Ordering Codes SAFS
	Flange ØA	Rad. B	Length C	Width W			
1/2"-3/4"	25.4	56.0	70.0	23.0	9	0.15	CL.SAFS.0050
DN 10/15/20	34.0	60.0	80.0	23.0	9	0.17	CL.SAFS.D010
1"-1 1/2"	50.5	81.0	104.0	23.0	10	0.25	CL.SAFS.0100
2"	64.0	86.0	117.0	23.0	10	0.33	CL.SAFS.0200
2 1/2"	77.5	93.0	134.0	23.0	10	0.38	CL.SAFS.0250
3"	91.0	98.0	144.0	23.0	10	0.44	CL.SAFS.0300
3 1/2"	106.0	103.0	159.0	23.0	10	0.44	CL.SAFS.0350
4"	119.0	112.0	179.0	23.0	10	0.57	CL.SAFS.0400

Wing-nut rotations are measured from the clamp starting in its optimum clamping position (segments parallel when assembled), to the safety eyebolt being able to swing free.

One rotation = 360°

Safety clamps can also be offered in 304 material, please contact our sales staff for availability.

Advanced Couplings Ltd

Thwaites Bridge | Keighley | West Yorkshire | BD21 4LJ | UK
Tel : 0044 (0) 1535 669 216 | Fax: 0044 (0) 1535 610 243
e-mail : sales@advanced-couplings.co.uk
web : www.advanced-couplings.co.uk



Engineering & Industrial Instrumentation

CMC TECHNOLOGIES

PTY LIMITED ACN: 085 991 224, ABN: 47 085 991 224

Phone: +61 2 9669 4000
Fax: +61 2 9669 4111
Email: sales@cmctechnologies.com.au
Web Site: http://www.cmctechnologies.net.au

Unit 19, 77 Bourke Road,
Alexandria, NSW, 2015
AUSTRALIA