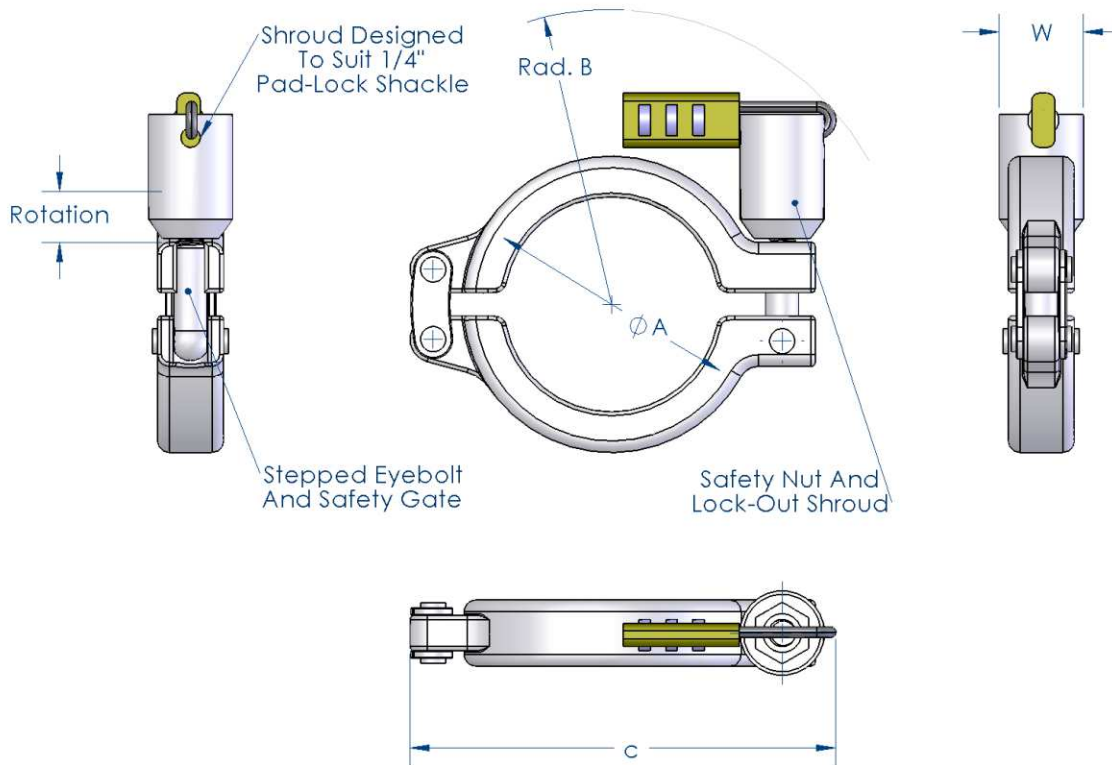


PHARMACEUTICAL SAFETY CLAMPS SAFL-TYPE

Material	316/1.4404
Application	Normal / Heavy Duty
Safety Feature	Safety Gate, Eye-Bolt & Padlock



SAFL - SH SAFETY CLAMP SAFETY GATE / STEPPED EYEBOLT LOCKOUT SHROUD / RECESSED DOMED NUT

SAFETY CLAMP - SAFL							
Nominal Clamp Size	Dimension (mm)				Nut Release Rotations	Mass (Kg)	Ordering Codes SAFL
	Flange $\varnothing A$	Rad. B	Length C	Width W			
1/2"-3/4"	25.4	61.0	73.0	23.0	9	0.25	CL.SAFL.0050
DN 10/15/20	34.0	65.0	83.0	23.0	9	0.27	CL.SAFL.D010
1"-1 1/2"	50.5	86.0	107.0	23.0	10	0.35	CL.SAFL.0100
2"	64.0	91.0	121.0	23.0	10	0.43	CL.SAFL.0200
2 1/2"	77.5	98.0	138.0	23.0	10	0.48	CL.SAFL.0250
3"	91.0	103.0	148.0	23.0	10	0.54	CL.SAFL.0300
3 1/2"	106.0	108.0	163.0	23.0	10	0.54	CL.SAFL.0350
4"	119.0	117.0	183.0	23.0	10	0.67	CL.SAFL.0400

Wing-nut rotations are measured from the clamp starting in its optimum clamping position (segments parallel when assembled), to the safety eyebolt being able to swing free.

One rotation = 360°

Safety clamps can also be offered in 304 material, please contact our sales staff for availability.

