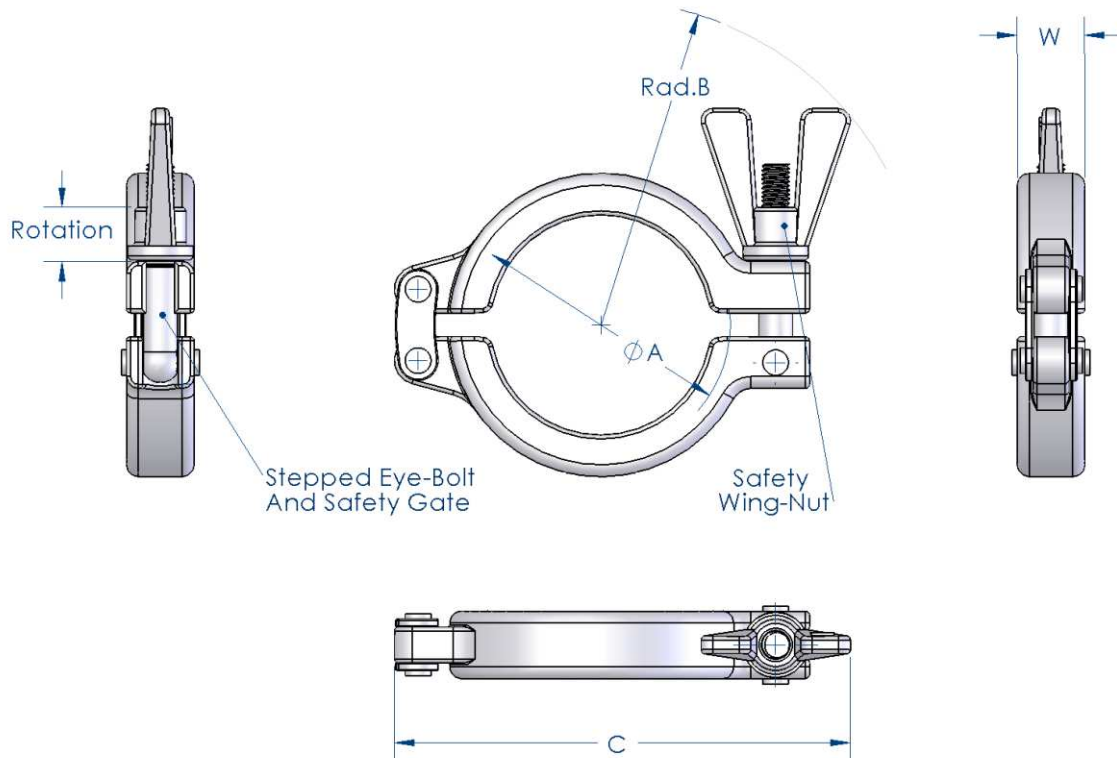


Material	316/1.4401
Application	Normal / Heavy Duty
Safety Feature	Safety Gate & Eye-Bolt

PHARMACEUTICAL SAFETY CLAMPS SAF-TYPE



SAF - SH SAFETY CLAMP SAFETY GATE / STEPPED EYEBOLT RECESSED WING-NUT

SAFETY CLAMP - SAF							
Nominal Clamp Size	Dimension (mm)				Wing-Nut Release Rotations	Mass (Kg)	Ordering Codes SAF
	Flange ØA	Rad. B	Length C	Width W			
1/2"-3/4"	25.4	63.0	75.0	17.0	9	0.16	CL.SAF.0050
DN 10/15/20	34.0	67.0	85.0	17.0	9	0.18	CL.SAF.D010
1"-1 1/2"	50.5	77.0	102.0	17.0	10	0.26	CL.SAF.0100
2"	64.0	93.0	123.0	17.0	10	0.34	CL.SAF.0200
2 1/2"	77.5	100.0	140.0	17.0	10	0.39	CL.SAF.0250
3"	91.0	105.0	150.0	17.0	10	0.45	CL.SAF.0300
3 1/2"	106.0	110.0	165.0	17.0	10	0.45	CL.SAF.0350
4"	119.0	119.0	185.0	17.0	10	0.58	CL.SAF.0400

Wing-nut rotations are measured from the clamp starting in its optimum clamping position (segments parallel when assembled), to the safety eyebolt being able to swing free.

One rotation = 360°

Safety clamps can also be offered in 304 material, please contact our sales staff for availability.

Advanced Couplings Ltd

Thwaites Bridge | Keighley | West Yorkshire | BD21 4LJ | UK
Tel : 0044 (0) 1535 669 216 | Fax: 0044 (0) 1535 610 243
e-mail : sales@advanced-couplings.co.uk
web : www.advanced-couplings.co.uk



Engineering & Industrial Instrumentation

CMC TECHNOLOGIES

PTY LIMITED ACN: 085 991 224, ABN: 47 085 991 224

Phone: +61 2 9669 4000
Fax: +61 2 9669 4111
Email: sales@cmctechnologies.com.au
Web Site: http://www.cmctechnologies.net.au

Unit 19, 77 Bourke Road,
Alexandria, NSW, 2015
AUSTRALIA