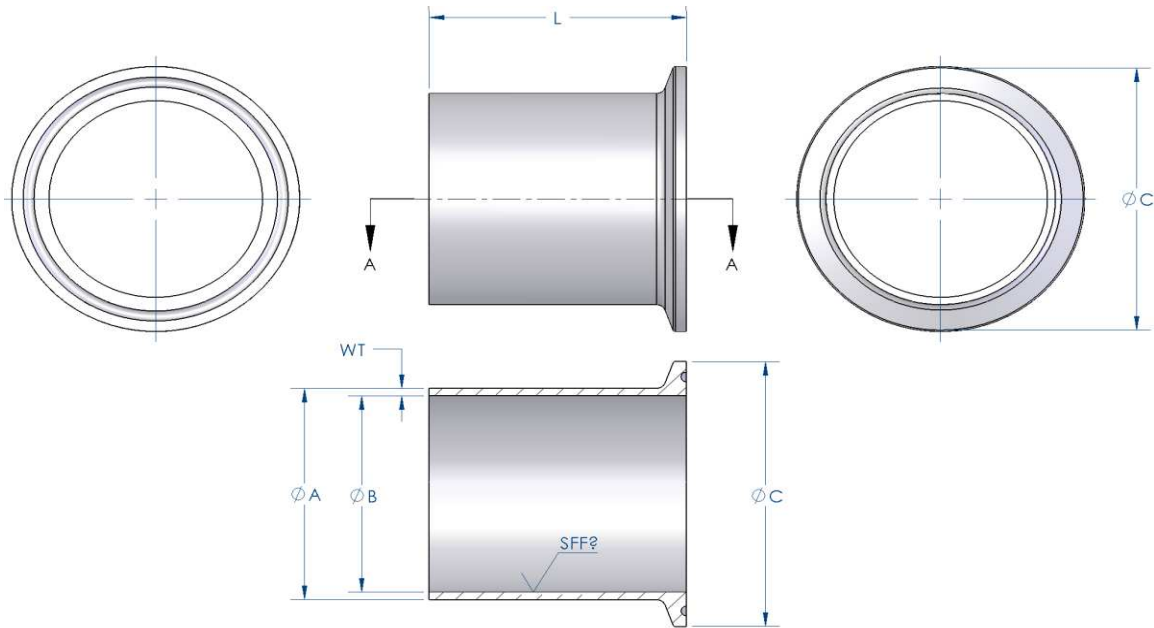


PHARMACEUTICAL FERRULES ASME BPE

Material	316L Low Sulphur / 1.4435 LS
Surface Finish	SFF1 - SFF6
Manufactured	3.1b Certified- Solid Bar



FERRULES - ASME BPE-g-2004

Nominal Size Imperial	Dimensions (mm)						Short Mass (kg)	Long Mass (kg)	Ordering Code Short Version	Ordering Code Long Version
	OD ØA	ID ØB	Flange ØC	Wall WT	Length L					
					Short	Long				
1/4"	6.35	4.57	25.4	0.89	28.5	44.5	0.02	0.02	FR.BPES.0025	FR.BPEL.0025
3/8"	9.52	7.74	25.4	0.89	28.5	44.5	0.02	0.02	FR.BPES.0038	FR.BPEL.0038
1/2"	12.70	9.40	25.4	1.65	28.5	44.5	0.02	0.03	FR.BPES.0050	FR.BPEL.0050
3/4"	19.05	15.75	25.4	1.65	28.5	44.5	0.02	0.04	FR.BPES.0075	FR.BPEL.0075
1"	25.40	22.10	50.5	1.65	28.5	44.5	0.08	0.10	FR.BPES.0100	FR.BPEL.0100
1 1/2"	38.10	34.80	50.5	1.65	28.5	44.5	0.06	0.09	FR.BPES.0150	FR.BPEL.0150
2"	50.80	47.50	64.0	1.65	28.5	57.2	0.09	0.14	FR.BPES.0200	FR.BPEL.0200
2 1/2"	63.50	60.20	77.5	1.65	28.5	57.2	0.11	0.18	FR.BPES.0250	FR.BPEL.0250
3"	76.20	72.90	91.0	1.65	28.5	57.2	0.14	0.23	FR.BPES.0300	FR.BPEL.0300
4"	101.60	97.38	119.0	2.11	28.5	57.2	0.24	0.38	FR.BPES.0400	FR.BPEL.0400
6"	152.40	146.86	167.0	2.77	28.5	76.2	0.47	0.95	FR.BPES.0600	FR.BPEL.0600

Internal Surface Finish

Surface Finish Ra	Ordering Code
0.50	.SF1
0.63	.SF2
0.75	.SF3
0.38 E/Pol	.SF4
0.50 E/Pol	.SF5
0.63 E/Pol	.SF6

Ordering Code Example

1" BPE Short Fer 0.63Ra - **FR.BPES.0100.SF2**



CMC TECHNOLOGIES

PTY LIMITED ACN: 085 991 224, ABN: 47 085 991 224

Engineering &
Industrial
Instrumentation

Phone: +61 2 9669 4000
Fax: +61 2 9669 4111
Email: sales@cmctechnologies.com.au
Web Site: <http://www.cmctechnologies.net.au>

Unit 19, 77 Bourke Road,
Alexandria, NSW, 2015
AUSTRALIA