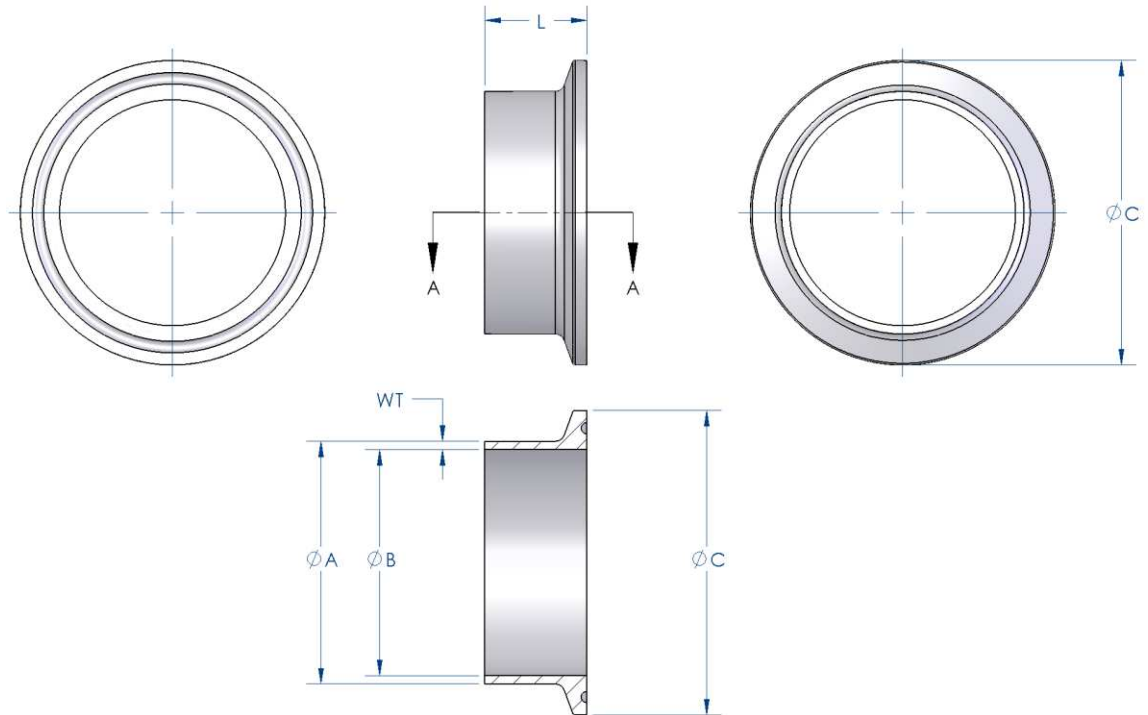


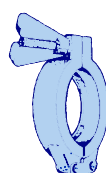
<b>Material</b>	316L / 1.4404
<b>Surface Finish</b>	0.8 Ra(µm) / 32 Ra(µin)
<b>Manufactured</b>	3.1b Certified- Solid Bar

# PHARMACEUTICAL FERRULES BS SCHEDULE 10



FERRULES - SCHEDULE 10							
Nominal Size Inch	Dimensions (mm)					Mass (kg)	Ordering Code
	OD ØA	ID ØB	Flange ØC	Wall WT	Length L		
1/2"	21.34	17.12	50.5	2.11	21.5	0.08	FR.BS10.0050
3/4"	26.67	22.45	50.5	2.11	21.5	0.08	FR.BS10.0075
1"	33.40	27.86	50.5	2.77	21.5	0.08	FR.BS10.0100
1 1/4"	42.16	36.62	64.0	2.77	21.5	0.09	FR.BS10.0125
1 1/2"	48.26	42.72	64.0	2.77	21.5	0.11	FR.BS10.0150
2"	60.33	54.79	77.5	2.77	21.5	0.15	FR.BS10.0200
2 1/2"	73.03	66.93	91.0	3.05	21.5	0.18	FR.BS10.0250
3"	88.90	82.80	106.0	3.05	21.5	0.22	FR.BS10.0300
3 1/2"	101.60	95.50	119.0	3.05	21.5	0.28	FR.BS10.0350
4"	114.30	108.20	130.0	3.05	28.0	0.34	FR.BS10.0400
5"	141.30	134.50	155.0	3.40	28.0	0.43	FR.BS10.0500
6"	168.28	161.47	183.0	3.41	28.0	0.61	FR.BS10.0600
8"	219.08	211.56	233.5	3.76	28.0	0.73	FR.BS10.0800
10"	273.05	264.67	286.1	4.19	28.0	0.93	FR.BS10.1000
12"	323.85	314.71	338.0	4.57	28.0	1.28	FR.BS10.1200

The above table shows the full range of BS Sch.10 ferrules as given in the exacting standard. Advanced Couplings can offer non-standard BS Sch.10 ferrule adaptations in varying lengths and internal surface finishes to suit individual customer requirements. Please contact our sales department if the ferrule you require cannot be found in our brochure.



## CMC TECHNOLOGIES

PTY LIMITED ACN: 085 991 224, ABN: 47 085 991 224

Engineering &  
Industrial  
Instrumentation

Phone: +61 2 9669 4000  
Fax: +61 2 9669 4111  
Email: [sales@cmctechnologies.com.au](mailto:sales@cmctechnologies.com.au)  
Web Site: <http://www.cmctechnologies.net.au>

Unit 19, 77 Bourke Road,  
Alexandria, NSW, 2015  
AUSTRALIA