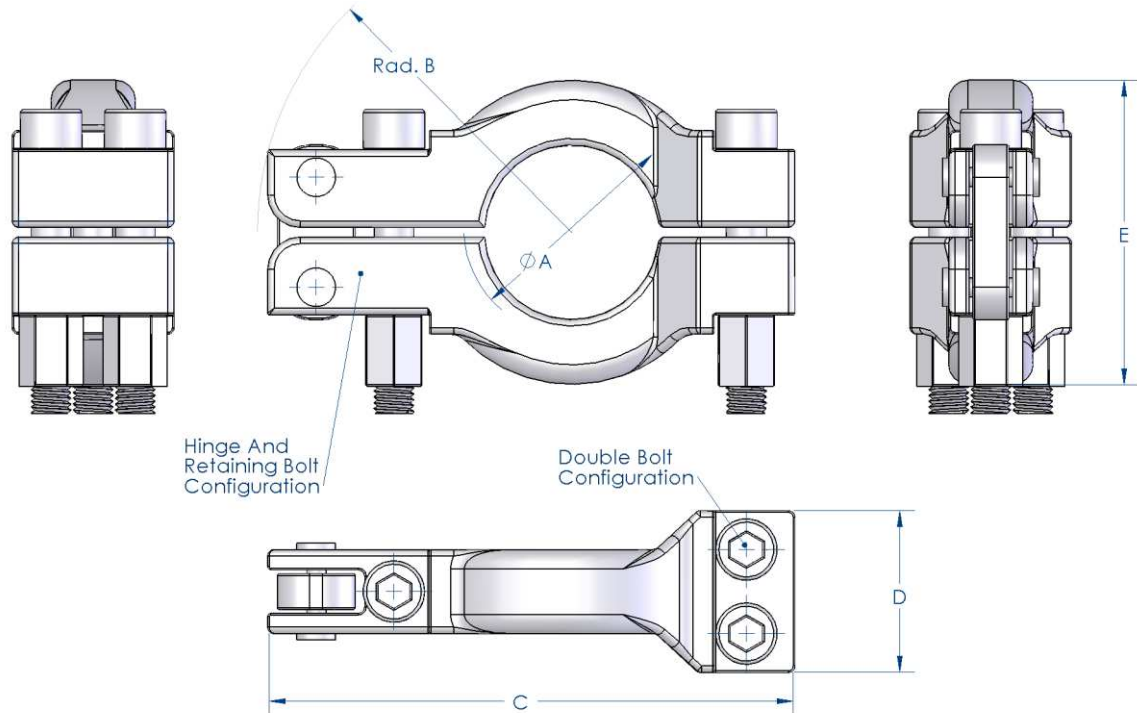


<b>Material</b>	316 / 1.4401
<b>Application</b>	Pressure Vessel
<b>Hinge Lay-Out</b>	Hinge Plate & Safety Bolt

# PHARMACEUTICAL CLAMPS

## ASME VIII PRESSURE VESSEL



ASME VIII CLAMPS							
Nominal Clamp Sized	Dimensions (mm)					Mass (Kg)	Ordering Codes ASME VIII
	Flange ØA	Rad B	Length C	Length D	Length E		
1" - 1 1/2"	50.5	85.0	145.0	50.0	80.0	1.80	CLAS8.0100
2"	64.0	97.0	163.0	50.0	94.0	1.96	CLAS8.0200
3"	91.0	115.0	203.0	50.0	124.0	3.20	CLAS8.0300
4"	119.0	135.0	233.0	50.0	160.0	3.68	CLAS8.0400
6"	167.0	160.0	281.0	50.0	206.0	4.70	CLAS8.0600
6 5/8"	183.0	170.0	300.0	50.0	222.0	4.98	CLAS8.0658
8"	217.0	185.0	333.0	50.0	258.0	5.45	CLAS8.0800
10"	268.0	210.0	385.0	50.0	308.0	6.30	CLAS8.1000
12"	319.0	235.0	433.0	50.0	358.0	7.02	CLAS8.1200

