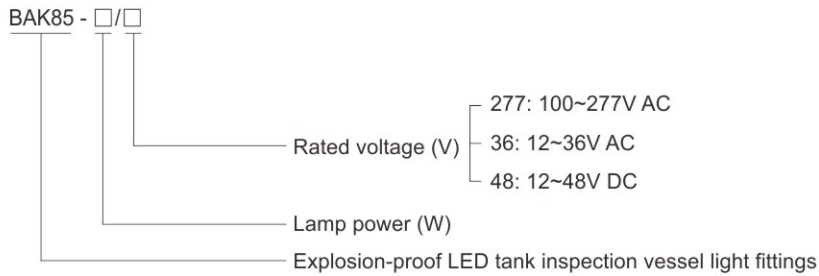


## Local, Caution Spotlight Fittings BAK85 Series Explosion-proof LED Tank Inspection Vessel Light Fittings



- ◆ Explosion protection to
  - CENELEC
  - IEC
  - NEC
- ◆ Can be used in
  - Zone 1 and Zone 2
  - Zone 21 and Zone 22
- ◆ Applicable lamp and power:
  - LED lamps, energy-saving and long service life, 9W
- ◆ Enclosure in Copper-free Aluminium Alloy, powder coated surface, yellow (RAL1021).

### Catalogue number logic



### Selection table

Type/Ordering code	Lamp power (W)	Rated voltage (V)	Weight (kg)
BAK85-9/277	9	100~277V AC 50/60Hz	2.20
BAK85-9/36		12~36V AC	
BAK85-9/48		12~48V DC	

# Zones 1&2; 21&22



## CMC TECHNOLOGIES

PTY LIMITED ACN: 085 991 224, ABN: 47 085 991 224

## Local, Caution Spotlight Fittings

### BAK85 Series Explosion-proof LED Tank Inspection Vessel Light Fittings

#### Technical data

#### Explosion-proof LED tank inspection vessel light fittings BAK85-□/□

##### Explosion protection

Global (IECEX)  
Gas and dust

IECEX TPS 18.0011X  
Ex db op is IIC T6 Gb  
Ex tb op is IIIC T80°C Db IP66/IP67

Europe (ATEX)  
Gas and dust

TPS 18 ATEX 089761 0007X  
⊕ II 2 G Ex db op is IIC T6 Gb  
⊕ II 2 D Ex tb op is IIIC T80°C Db IP66/IP67

##### Certificates

IECEX; ATEX

##### Conformity to standards

EN 60079-0, EN 60079-1, EN 60079-28, EN 60079-31  
IEC 60079-0, IEC 60079-1, IEC 60079-28, IEC 60079-31

##### Material

Enclosure  
Glass cover  
LED driver

Copper-free Aluminium Alloy, powder coated surface, yellow (RAL1021)  
Toughened glass, stands 4J impact  
Wide voltage input, CC-CV (constant current - constant voltage) output, power factor  $\geq 0.95$ , with protection against circuit and anti-electromagnetic interference, etc.

Exposed fastener

Stainless steel

##### Lamp

Lamp specification  
Lamp power (W)  
Colour Temperature (CCT)

International brand of LED module  
9W  
5700K  
Note: cool white is available in general. Warm white or nature white is optional, please specify when ordering.

##### Rated voltage

100~277V AC 50/60Hz  
100~250V DC  
12~36V AC  
12~48V DC

##### Earthing protection

M5 (internal & external earth bolts)

##### Degree of protection

IP66/IP67

##### Ambient temperature

-40°C~+55°C

##### Terminal

3 x 1.5~2.5mm<sup>2</sup> (L+N+PE)

##### Cable entries

M20 x 1.5

##### Cable gland

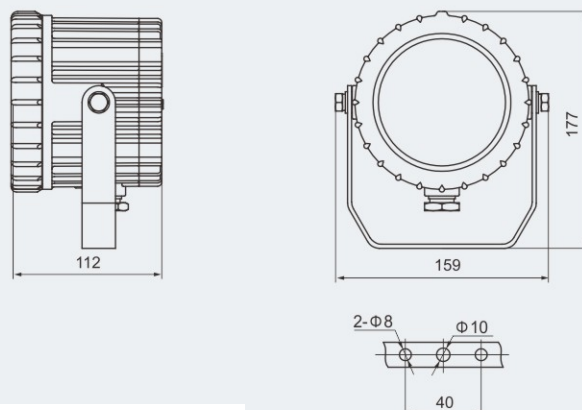
Supplied with seal gasket and gland nut

##### Applicable cable outer diameter

Φ6~Φ12 (mm)



#### Dimension drawings (all dimensions in mm) - subject to alteration



## CMC TECHNOLOGIES

PTY LIMITED ACN: 085 991 224, ABN: 47 085 991 224

Engineering & Industrial Instrumentation  
Phone: +61 2 9669 4000  
Fax: +61 2 9669 4111  
Email: [sales@cmctechnologies.com.au](mailto:sales@cmctechnologies.com.au)  
Web Site: <http://www.cmctechnologies.net.au>

Unit 19, 77 Bourke Road,  
Alexandria, NSW, 2015  
AUSTRALIA