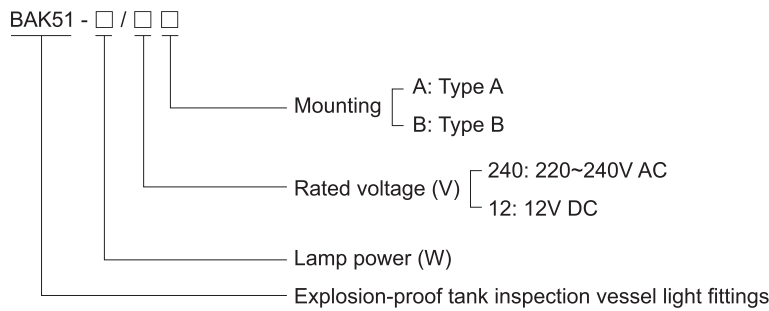


Local, Caution Spotlight Fittings BAK51 Series Explosion-proof Tank Inspection Vessel Light Fittings



- ◆ Explosion protection to
 - CENELEC
 - IEC
 - NEC
- ◆ Can be used in
 - Zone 1 and Zone 2
 - Zone 21 and Zone 22
- ◆ Available for 35W or 50W halogen tungsten lamp, with high light efficiency and long service life.
- ◆ A or B mounting type is optional.
- ◆ Enclosure in copper-free aluminium, powder coated surface, yellow (RAL1021).

Catalogue number logic



Selection table

Type/Ordering code	Available lamp power (W)	Weight(kg)	Type/Ordering code	Available lamp power (W)	Weight(kg)
BAK51-35/240A	35W Halogen tungsten lamp	2.15	BAK51-50/240A	50W Halogen tungsten lamp	2.15
BAK51-35/240B		2.15	BAK51-50/240B		2.15
BAK51-35/12A		2.00	BAK51-50/12A		2.00
BAK51-35/12B		2.00	BAK51-50/12B		2.00

Zones 1&2; 21&22



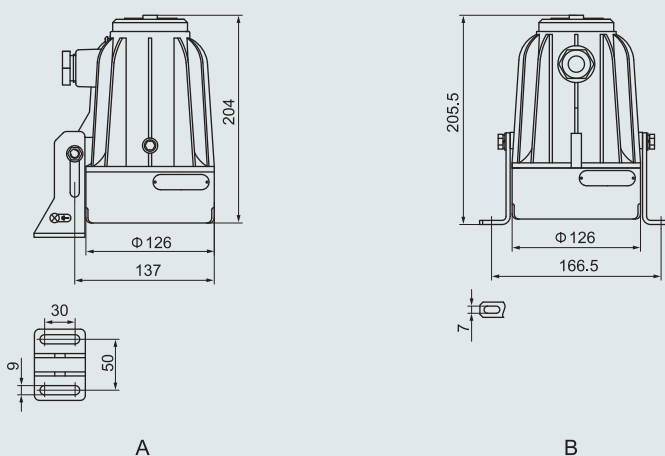
Local, Caution Spotlight Fittings

BAK51 Series Explosion-proof Tank Inspection Vessel Light Fittings

Technical data	
Explosion-proof tank inspection vessel light fittings BAK51-□/□□	
Explosion protection	
Gas explosion protection	⊕ II 2 G Ex d IIB T3 Gb
Dust explosion protection	⊕ II 2 D Ex tb IIIC T190°C Db IP66
Certificates	LCIE 06 ATEX 6020; IECEx LCI 08.0007
Conformity to standards	EN 60079-0, EN 60079-1, EN 60079-31 IEC 60079-0, IEC 60079-1, IEC 60079-31
Material	
Enclosure	Copper-free aluminium, powder coated surface, yellow (RAL1021)
Glass cover	Toughened glass, impact resistance and high light transmission
Exposed fastener	Stainless steel
Lamp	
Available lamp	Halogen tungsten lamp
Lamp holder	GY6.35
Lamp power (W)	35W, 50W
Adaptable voltage	DC 12V
Rated voltage	220~240V AC 50Hz 12V DC; 24V AC/DC
Earthing protection	M5 (internal & external earth bolts)
Degree of protection	IP66
Ambient temperature	-60°C~+55°C
Terminal	3 x 1.5~2.5mm ² (L+N+PE)
Cable entries	1 x G3/4"
Cable gland	Supplied with seal gasket and gland nut, cable gland on request.
Applicable cable outer diameter	Φ 10~Φ 14 (mm)



Dimension drawings (all dimensions in mm) - subject to alteration



CMC TECHNOLOGIES

PTY LIMITED ACN: 085 991 224, ABN: 47 085 991 224

Engineering & Industrial Instrumentation
 Phone: +61 2 9669 4000
 Fax: +61 2 9669 4111
 Email: sales@cmctechnologies.com.au
 Web Site: <http://www.cmctechnologies.net.au>

Unit 19, 77 Bourke Road,
 Alexandria, NSW, 2015
 AUSTRALIA