

## Lumistar luminaires USL 15-LED and USL 35-LED

**USL 15-LED:** for universal application with hinged bracket

**USL 35-LED:** special variant for sterile environments with adapter collar for fitting over flanges etc.

- **For mounting on sight glass fittings:**

This sight glass luminaire is designed for universal applications. It is ideal for use in combined sight and light ports (single-flange version) or with two separate ports (2-flange version).

- **Compact design, powerful light output:**

Glare-free illumination; suitable for circular sight glass fittings similar to DIN 28120/DIN 28121, for screw-type sight glass fittings similar to DIN 11851 and for METAGLAS® and BioControl fittings.

- **Application in chemical, pharmaceutical, biogas and food processing industries:**

It is ideal for illuminating bioreactors, laboratory mixers and filters as well as the interiors of tanks, agitators, separators, pipelines and other, usually closed, vessels in non-explosive operating environments.

- **Protection class:**

Dust- and waterjet proof,  
IP 65 according to EN 60 529 / DIN VDE 0470, Part 1

- **Operating conditions:**

Independent of the internal pressure/vacuum in the vessel. Under no circumstances should a sight glass luminaire be used on its own to close a vessel port or as a replacement for the mating flange or instead of the complete sight glass flange assembly.

- **Maximum admissible ambient temperature:** 40°C

- **Very easy to install using special mountings, ensuring convenience of use:**

USL 15-LED: The luminaire is attached to the mating flange of the circular sight glass fitting or the visual flow indicator with a hinged bracket, or fastened to the grooved nut on screw-type sight glass fittings.

USL 35-LED: The luminaire is mounted over an adapter collar (e.g. attachment on Metaglas).

- **Caution:**

Do not look into light – Danger of impaired eyesight!

- **Lumistar luminaires USL 15-LED and USL 35-LED fit the following sizes:**

- a) Circular sight glass fitting similar to DIN 28120: from DN 40
- b) Circular sight glass fitting similar to DIN 28121: from DN 40
- c) Visual flow indicators: from DN 40
- d) Screw-type sight glass fittings similar to DIN 11851: from DN 65

- **Operating voltage:**

12 V, 24 V AC/DC  
230 V AC  
Colour temperature: 4000 K  
Luminous flux: 210 lm at 4.5 W  
400 lm at 5.5 W

CE

3755.249 a



Lumistar luminaire USL 15-LED with hinged bracket

- **Reflected beam:**

36° at 4.5 W  
25° at 5.5 W

- **Transformers:**

Transformers or power supplies for 230 V/24 V AC are available on request.

- **Mounting parts for USL 15-LED:**

The luminaire mounting (hinged bracket) is included in the scope of supply. The flange collar for mounting on screw-type sight glass fittings of DN 65 and greater should be ordered separately.



**CMC TECHNOLOGIES**

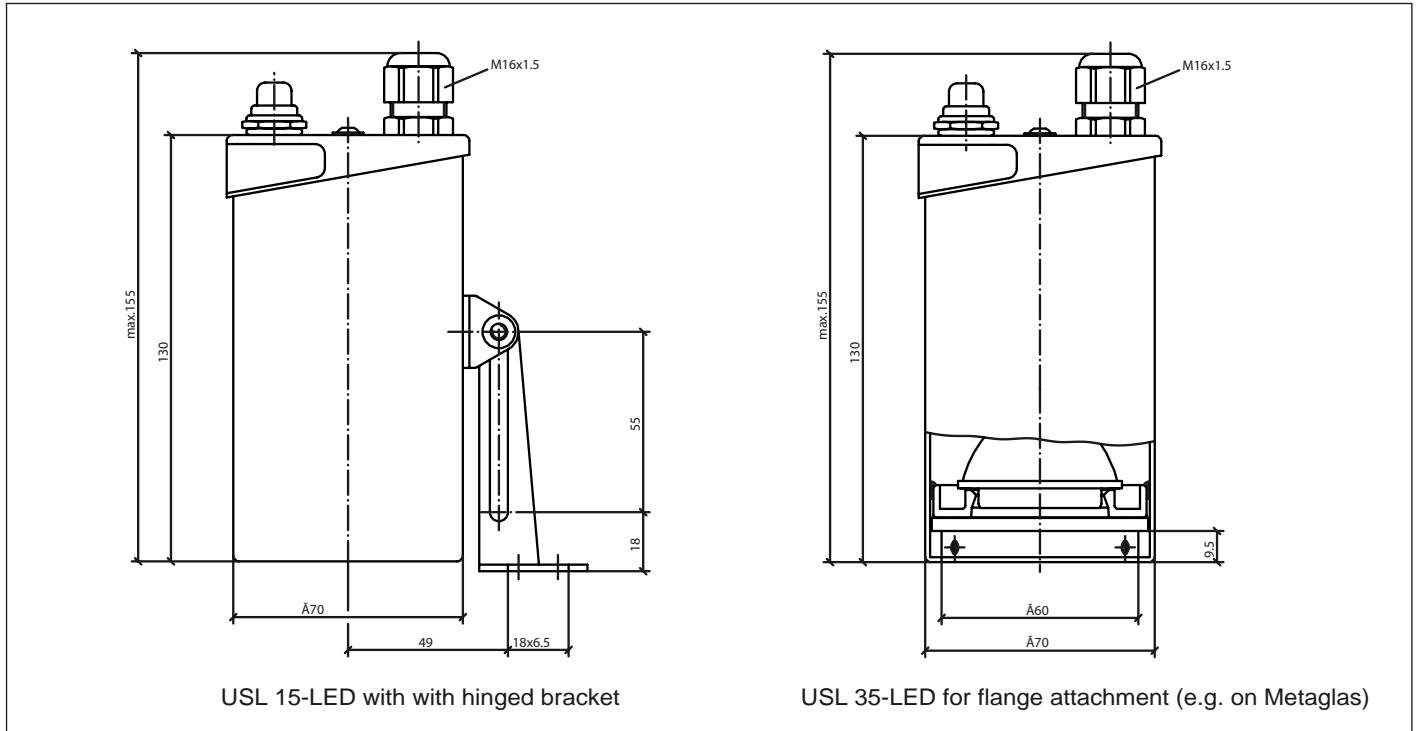
PTY LIMITED ACN: 085 991 224, ABN: 47 085 991 224

Engineering & Industrial Instrumentation  
Phone: +61 2 9669 4000  
Fax: +61 2 9669 4111  
Email: sales@cmctechnologies.com.au  
Web Site: http://www.cmc technologies.net.au

Unit 19, 77 Bourke Road,  
Alexandria, NSW, 2015  
AUSTRALIA

**PAPENMEIER**

• **Dimensions and electrical data for Lumistar luminaires USL 15-LED and USL 35-LED:**



• **Components and materials:**

- Luminaire body and cover: stainless steel 1.4404
- Hinged bracket and flange collar for attachment to screw-type sight glass fitting DN 65): stainless steel 1.4301
- Connecting cable: 3 m (3 x 0.75 mm<sup>2</sup>) works fitted (further lengths on request)
- Weight: 0.85 kg

• **Connection data** (further versions on request):

Item	Type USL 15/35-LED	Nominal Voltage V	Push-button	LED	Timer	Socket	Part. no. USL 15-LED	Part. no. USL 35-LED
1	(12 V) 4 W	12 V	without	12 V 4 W	without	GU5.3	3541.432.00	–
2	(24 V) 4.5 W	24 V	with	12 V 4 W	with	GU5.3	3541.428.00	–
3	(24 V) 4.5 W	24 V	with	12 V 4 W	without	GU5.3	3541.429.00	3541.434.00
4	(24 V) 4.5 W	24 V	without	12 V 4 W	without	GU5.3	3541.430.00	3541.427.00
5	(230 V) 5.5 W	230 V	with	230 V 5.5 W	without	GZ10	3541.426.00	3541.437.00
6	(230 V) 5.5 W	230 V	without	230 V 5.5 W	without	GZ10	3541.431.00	3541.438.00
7	(24 V) 4.5 W	24 V	with switch	12 V 4 W	without	GU5.3	3541.457.00	–
8	(230 V) 5.5 W	230 V	with switch	230 V 5.5 W	without	GZ10	3541.455.00	–

• **Accessories (only for USL 15-LED):**

Item	Luminaire mounting	Part. no.
1	Flange collar DN 65, stainless steel (no hinged mounting bracket required), Ø 80 mm	1356.010.00
2	Flange collar DN 80, stainless steel (no hinged mounting bracket required), Ø 94 mm	1356.029.00

• **Order data:** e.g. Lumistar luminaire USL 15-LED, 24 V – 4.5 W, with push-button, part. no. 3541.429.00