

APPLICATION:

For safe use in potentially explosive environments in zones 1, 2, 21 and 22 (gas and dust).

This Lumistar variant impresses with its versatility:

- as a vehicle luminaire
- for the optimal illumination of closed vessels, boilers, tanks, silos, agitators and reactors.
- in combination with flow sight glasses

For use with circular sight glass fittings to DIN 28120/DIN 28121 or similar, with screw-type sight glass fittings in compliance with DIN 11851, and in visual flow indicators.

Trend-setting LED technology guarantees even lower energy consumption, longer service life and flexible light colour.

PROTECTION:

IP 65 and IP 67 to DIN EN 60529

AMBIENT TEMPERATURES:

-20°C to 50°C

TECHNICAL DATA EX PROTECTION:

Approval according to Directive 2014/34/EU

This luminaire meets the essential safety and health requirements by complying with the regulations for:

Gas	
EN IEC 60079-0:2018	General Requirements
EN 60079-1:2014	Flame-proof Enclosures „d“
EN IEC 60079-7:2015 + A1:2018	Increased Safety „e“
Explosion group	IIC (includes IIA and IIB)
Temperature class	T6

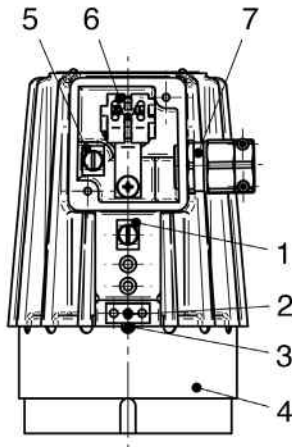
Dust	
EN IEC 60079-0:2018	General Requirements
EN 60079-31:2014	Protection by Enclosures „t“
Explosion group	IIIC (includes IIIA and IIIB)
Temperature class	T80°

EU-Type Examination Certificate:
BVS 08 ATEX E 135

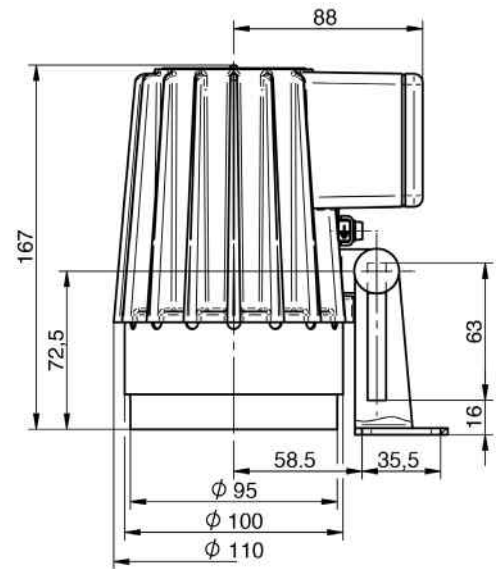
II 2G Ex db eb IIC T6 Gb
 II 2D Ex tb IIIC T80°C Db

Voltage	Nominal power	Nominal luminous flux	Light colour*	Beam angle	Addition	Part no.
12 V/24 V DC	9 W	450-500 lm	6500 K cold white	12°		3542.230.00
12 V/24 V DC	9 W	450-500 lm	6500 K cold white	25°		3542.231.00
12 V/24 V DC	9 W	450-500 lm	6500 K cold white	38°		3542.232.00
12 V/24 V DC	9 W	450-500 lm	6500 K cold white	12°	including sealing plug	3542.233.00
24 V AC/DC	14 W	450-500 lm	6500 K cold white	12°		3542.235.00
24 V AC/DC	14 W	450-500 lm	6500 K cold white	25°		3542.236.00
24 V AC/DC	14 W	450-500 lm	6500 K cold white	38°		3542.237.00
220-240 V AC	7 W	depending on the lamp type			socket GU10	3542.245.00

*other light colours on request



- 1 Protective conductor terminal outside
- 2 Locking screw
- 3 Locking lug
- 4 Screw glass
- 5 Internal protective conductor terminal
- 6 Ex terminals
- 7 Cable gland M20 x 1.5



FIXING:

In the case of a round sightglass fitting and a visual flow indicators, the luminaire is fixed to the cover flange with the mounting bracket. With a screw-in sightglass fitting, the luminaire is fixed on the slotted cover nut, alternatively via a flanged adapter collar or a mounting bracket.

ELECTRICAL CONNECTION:

Cable entry variable (right or left). The unused opening is closed with a sealing plug. Cable lengths: any Cable diameter: 8-15 mm

NOMINAL WIDTHS:

For round sightglasses similar to DIN 28120, DIN 28121 and flow sightglasses, fixing on cover flange: from DN 50.

For screwed sightglasses similar to DIN 11851, fixing on or under the slotted cover nut:
 DN 65, 80, 100: via flanged adapter collar
 DN 80, 100, 125: via mounting bracket
 DN 80, 100: via flanged adapter collar or mounting bracket

WEIGHT:

2.1 kg including connection box

Materials	
Luminaire body	Aluminium
Glass	Borosilicate
Mounting parts	Stainless steel
Flat gasket terminal box	Viton

Additional equipment	Part no.
Luminaire fixing mounting bracket, stainless steel	0354.016.00
Luminaire fixing flanged adapter collar, stainless steel	1356.015.00
LED lens 12°	3511.008.00
LED lens 25°	3511.009.00
LED lens 38°	3511.010.00
Assembly spanner for screwed sight glass	6805.001.00

Order specifications (example):

Part no. 3542.232.00: Lumistar luminaire USL 06LED Ex,

12 V/24 V DC, 9 W, beam angle 38°

Part no. 1356.015.00: Luminaire flanged adapter collar

Picture credits: ©F. H. Papenmeier GmbH & Co. KG
Technical changes reserved. 3755.684 10.2021