

APPLICATION:

This exceptionally small, dust- and water-jet-proof, Lumistar version was specially developed for use in food processing and industrial areas. It is perfect for the optimal illumination of closed vessels, boilers, tanks, silos, agitators and reactors.

The universal Lumistar USL 03LED sight glass luminaire is ideally suited for combining sight-glass and lightglass (1-flange version) as well as for their separate arrangement (2-flange version).

Suitable for circular sight glasses according to DIN 28120/DIN 28121 or similar as well as for screw-type sight glasses similar to DIN 11851. For the visual inspection of liquid media in piping systems, the Lumistar variant is also used in combination with tubular sight glass fittings.

SIZE

Total length: 79 mm
Diameter: 53 mm

PROTECTION CLASS:

IP 65 according to EN 60529/DIN VDE 0470 Part 1

TECHNICAL DATA:

- Operating voltage: 24 V AC/DC
- Ambient temperature: max. 50°C (max. 70°C in push-button operation)

MECHANICAL DATA:

- Luminaire housing: stainless steel 1.4301
- Luminaire head: stainless steel 1.4301
- Mounting parts: hinged bracket or adapter flange stainless steel 1.4301
- Power cable: 5 m (3 x 0,75 mm²)

TECHNICAL LIGHTING DATA:

- Lightcolour: 5700 K
- Luminous flux: 400 lm
- Beam angle: 18° or 30°

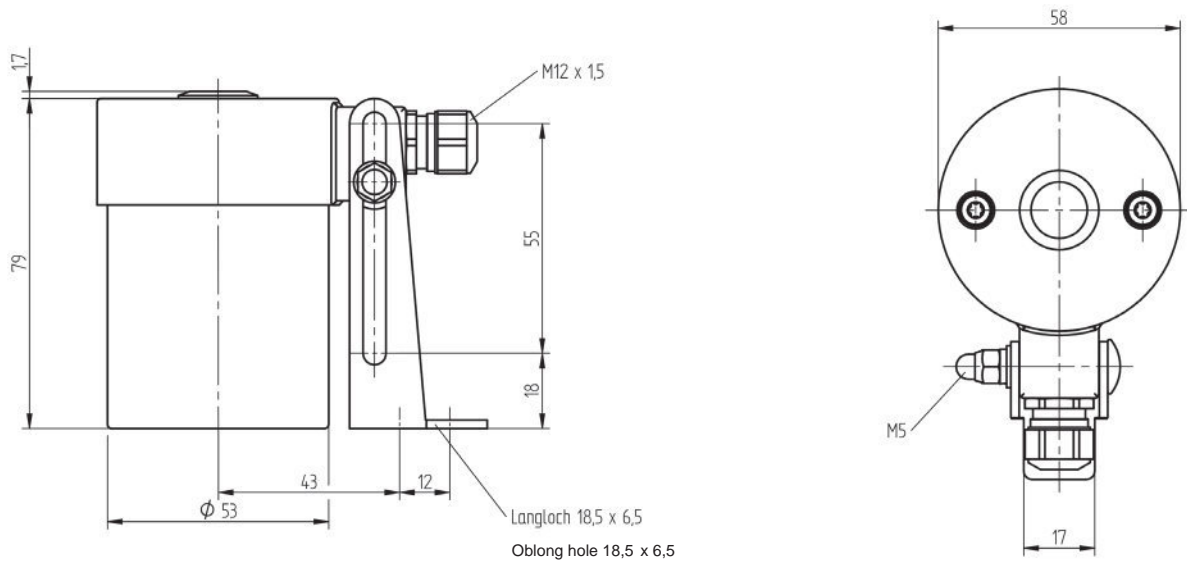
OPERATING VARIANTS:

- Possible with push-button or switch

Nominal voltage	Nominal power	Luminous flux	Lightcolour*	Beam angle	Operating	Part no.
24 V	5 W	400 lm	5700 K cool white	18°	no push-button	3542.203.00
24 V	5 W	400 lm	5700 K cool white	18°	with push-button	3542.204.00
24 V	5 W	400 lm	5700 K cool white	18°	with switch	3542.205.00
24 V	5 W	400 lm	5700 K cool white	30°	no push-button	3542.206.00
24 V	5 W	400 lm	5700 K cool white	30°	with push-button	3542.207.00
24 V	5 W	400 lm	5700 K cool white	30°	with switch	3542.208.00

*other lightcolours on request





INSTALLATION:

In the case of a circular sight glass fitting and a tubular sight glass fitting, the luminaire is fixed to the cover flange with the hinged bracket. With a screw-type sightglass fitting, the luminaire is fixed on the cover nut, alternatively via an adapter flange or a hinged bracket.

NOMINAL WIDTHS:

For circular sight glasses similar to DIN 28120, DIN 28121 and tubular sight glass fittings, fixing on the cover flange: from DN 50.

For screw-type sight glasses similar to DIN 11851, fastening on or under the cover nut:
DN 65, 80, 100: via adapter flange
DN 65, 80, 100, 125: via hinged bracket

WEIGHT: 0,8 kg

Accessories	Part no.
Mounting flange DN 50, nut opening: 62 mm	L1356.027.00
Mounting flange DN 65, nut opening: 65 mm	L1356.030.00
Mounting flange DN 80, nut opening: 94 mm	L1356.031.00

Replacement parts	Part no.
Luminaire hinged bracket, stainless steel	0354.300004
Seal ring (bolt)	0858.001.00
O-ring seal (luminaire head)	0862.094.00
LED-module 18°	3858.300010
LED-module 30°	3858.300014

SCOPE OF DELIVERY :

- 5 m connection cable
- hinged bracket
- fixing screw

Ordering specifications (example):

Part no. 3542.203.00: Lumistar Luminaire USL 03LED,
24 V, 5 W, beam angle 18°