



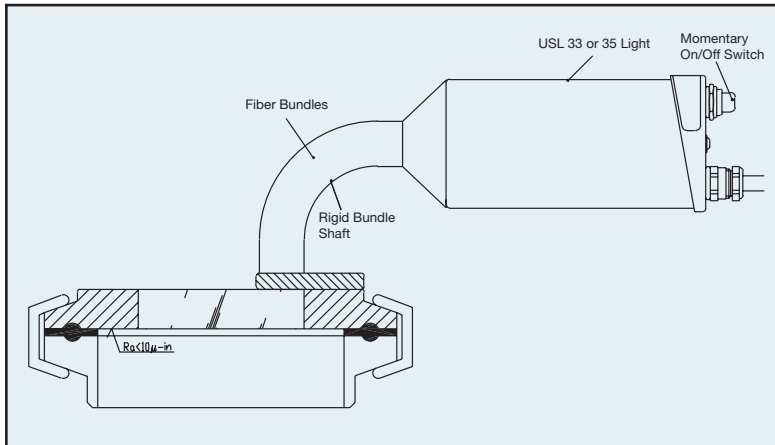
## Lumi-View 33™ & 35™ Fiber Optic Light with Sanitary Sight Window Provides Viewing and Lighting Through a Single Port

The new Lumi-View 33™ & 35™ fiber optic light is a powerful yet compact illumination system for sanitary processing equipment providing up to 50 watts of illumination while allowing viewing through the same window. This unique combination sight/light glass incorporates the L.J. Star MetaClamp® system with Metaglas® safety windows. They can be used to view the interior of either new or existing sanitary processing equipment.

The Lumi-View can also be used separately, mounted on any existing view port or other L.J. Star sight window, providing illumination where limited space or connections make the use of conventional luminaires difficult.

Metaglas safety windows with the MetaClamp sanitary connection provide the strongest and most secure sanitary viewing option available. Essentially immune to catastrophic failure, these windows have also consistently tested leak-tight at pressures and vacuums far beyond design ratings. Metaglas windows are comprised of stainless steel and borosilicate glass, fused together to create a window so uniformly compressed it tolerates both extreme pressure and temperature, serving reliably for years in applications where conventional windows fail repeatedly. Electropolishing available.

The new fiber optic illumination system is a compact, easily adaptable unit. The Lumi-View 33 & 35 rigid fiber optic light attaches directly to the sight glass which eliminates separate mounting of the light source. The housing is made of 316 stainless steel which is rated NEMA 4X and IP65. An internal transformer allows for a 12, 24 and 120 volt power supply. A built-in momentary on/off switch allows easy operator use and extends the bulb life.



Standard Tube OD	VIEW		THICKNESS		MAX. PRESSURE @536° F	
	INCH	(MM)	INCH	(MM)	PSIG	(BAR)
1", 1-1/2"	0.98	(25)	0.39	(10)	230	(16)
2"	1.18	(30)	0.39	(10)	200	(14)
3"	1.57	(40)	0.39	(10)	150	(10)
4"	2.17	(55)	0.47	(12)	150	(10)
6"	2.95	(75)	0.63	(16)	90	(6)
8"	3.94	(100)	0.71	(18)	90	(6)
10"	4.72	(120)	0.79	(20)	90	(6)
12"	5.51	(140)	0.87	(22)	80	(5)

For additional information and applications assistance contact:



### CMC TECHNOLOGIES

PTY LIMITED ACN: 085 991 224, ABN: 47 085 991 224

Engineering &  
Industrial  
Instrumentation

Phone: +61 2 9669 4000  
Fax: +61 2 9669 4111  
Email: [sales@cmctechnologies.com.au](mailto:sales@cmctechnologies.com.au)  
Web Site: <http://www.cmctechnologies.net.au>

Unit 19, 77 Bourke Road,  
Alexandria, NSW, 2015  
AUSTRALIA