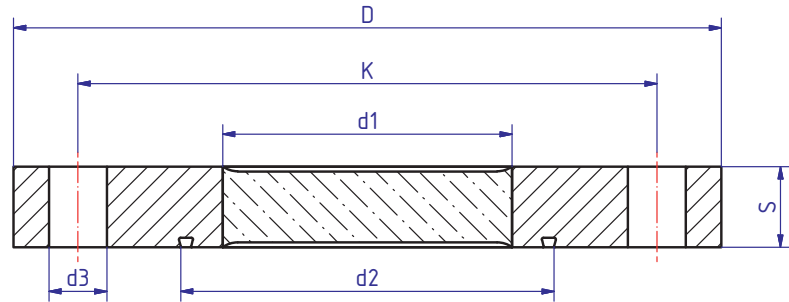
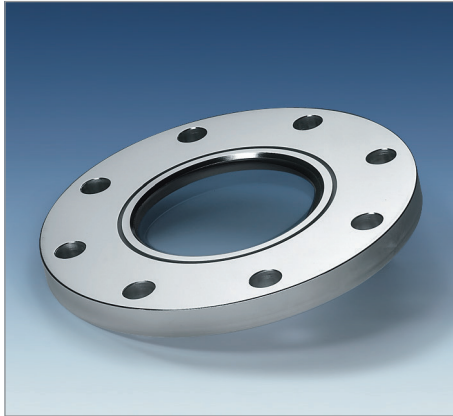


## METAGLAS® Bolt-on Sight glass for Sterile Applications



### Applications

- Aseptic and sanitary applications
- Base flange to DIN 28117 or similar
- Weld neck with flat face

### Material certificates

- Certificate of Conformity to EN 10204-3.1 or 3.2

### Operating conditions

- Pressure: -1 to 16 bar
- Temperature: see table

### O-Ring

Material: EPDM, FDA

### Ring materials Temperature (TS)

Ring materials	Temperature (TS)
1.4462	-30°C bis +280°C
2.4602	-80°C bis +300°C
2.4605	-80°C bis +300°C
2.4610	-80°C bis +300°C

### Technical data Manufactured and tested to:

- Directive for pressure equipment 2014/68/EU, Module H (DIN/EN/ISO 9001)
- AD2000 Standards W0/TRD 100
- Sight glass fused to metal conforming to DIN 7079
- Materials to VdTÜV specifications and the DIN/EN designated standards
- Glass: Borosilicate to DIN 7080 / DIN 7079

### Advantages

- Reliability against total failure. The possibility of unexpected rupture is excluded
- Effortless cleaning for sterile applications
- Flush Glass/metal border on outer side for easy cleaning
- Maximum viewing area

### Approvals

- TÜV-Approval in accordance with the governing standards (for pressure vessels) (With Duplex Stainless Steel (DIN 1.4462)

### Important

Only for use with parallel flat face flange without seal recess. We therefore recommend the use of Belleville spring washers, 2 pcs. for each connection hole. (follow the assembly instructions.)

Nominal Size	Connection							O-Ring	Spring washers	
	PN	D	K	S	d1	d2	d3			holes
50	16	165	125	21	50	66	18	4	58,74 x 3,53	31,5/16,3 x 1,25
65	16	185	145	23	70	86	18	4	78,97 x 3,53	31,5/16,3 x 1,25
80	16	200	160	25	80	96	18	8	88,50 x 3,53	31,5/16,3 x 1,25
100	16	220	180	25	90	116	18	8	107,5 x 3,53	31,5/16,3 x 1,25
125	16	250	210	25	110	141	18	8	132,9 x 3,53	31,5/16,3 x 1,25
150	16	285	240	28	130	165	22	8	158,34 x 3,53	40/20,4 x 1,5
200	10	340	295	30	160	208	22	8	202,8 x 3,53	40/20,4 x 1,5