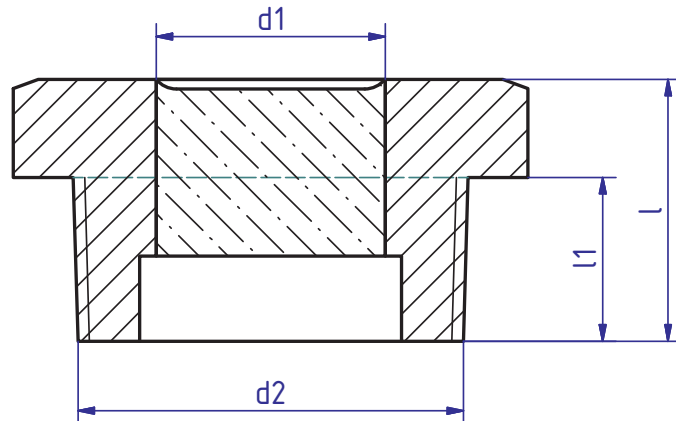
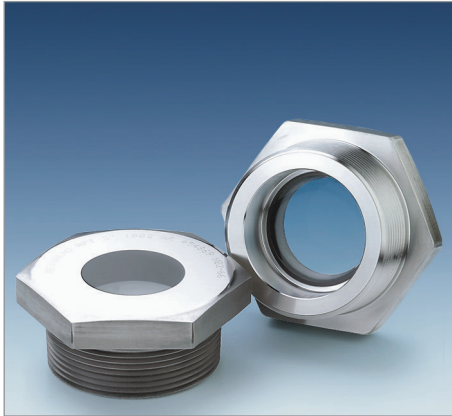


METAGLAS® Threaded Sight glass – NPT-Thread



Applications

- Female connection with NPT or NPTF thread

Advantages

- Very compact
- High pressure resistance
- Simple assembly
- Long working time

Ring

materials	Temperature (TS)
S355J2+N	-10°C bis +300°C
1.4462	-30°C bis +280°C
2.4602	-60°C bis +300°C

Technical data

- Manufactured and tested to: Directive for pressure equipment 2014/68/EU, Module H (DIN/EN/ISO 9001)
- AD 2000 Standards W0/TRD 100
- Sight glass fused to metal conforming to DIN 7079
- Materials to VdTÜV specifications and the DIN/EN designated standards

Material certificates

- Certificate of Conformity to EN 10204-3.1 or 3.2 for extra costs

Operating conditions

- Pressure: 100 bar
- Temperature: see table

Materials

- Ring material: Carbon Steel (S355J2+N), Stainless Steel (1.4462) Hastel-loy (2.4602)
- Glass: Borosilicate to DIN 7080 / DIN 7079

d2 (Thread)	SW	d1	d4	l	l1
1/4" NPT	21	8	9	15	10
3/8" NPT	24	10	12	15	10
1/2" NPT	27	14	16	25	15
3/4" NPT	36	18	20	26	16
1" NPT	41	22	23	28	18
1 1/4" NPT	50	25	30	30	20
1 1/2" NPT	55	30	36	32	22
2" NPT	70	37	44	35	25
3" NPT	100	55	60	38	28