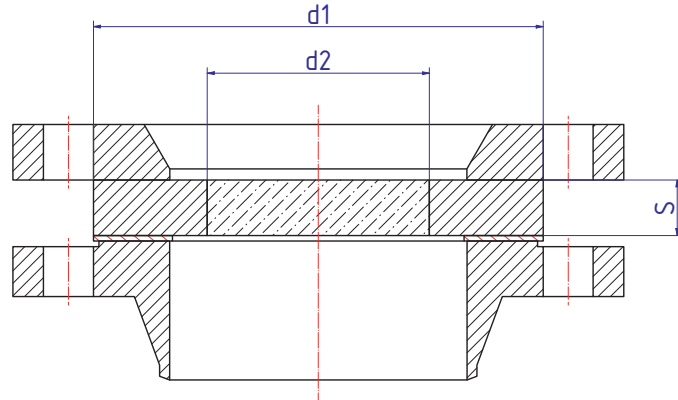
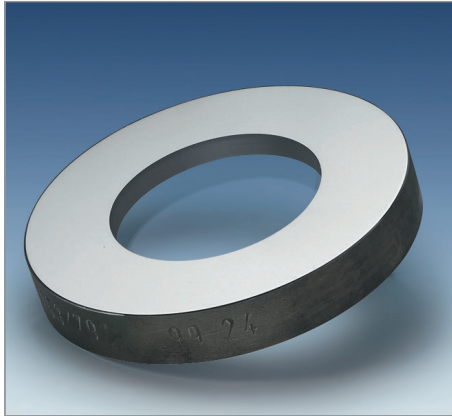


## METAGLAS® Sight glass Discs for Welding Neck Flanges – Connection to ANSI B16.5



### Applications

- As replacement for conventional glasses in the following assemblies:
- Circular sight ports similar to DIN 28121
- Plus any other assemblies where the Glass is of the same dimensions, welding neck flanges with flat or raised face

### Operating conditions

Temperature: -60°C to +300°C  
Pressure: Up to 40 bar (TÜV)  
Higher pressures possible

Ring materials	Temperature (TS)
S355J2+N	-10°C bis +300°C
1.4462	-30°C bis +280°C
2.4602	-60°C bis +300°C
2.4610	-60°C bis +300°C

### Approvals and technical data

- Manufactured and tested in conformance with:
- Pressure Equipment Directive 2014/68/EU, Module H (DIN/EN/ISO 9001)
- AD2000 Standards W0/TRD 100
- TÜV and Factory Mutual Approval\*
- CRN
- Sight glass fused to metal conforming to DIN 7079
- Borosilicate Glass to DIN 7080 / DIN 7079

### Advantages

- Reliability against total failure – the possibility of sudden unexpected rupture is totally excluded
- High resistance to bending and over-tightening offers simple and fast installation with no risk of breakage
- Extreme resistance to impact, pressure and Temperature
- Reusable in the same or other applications – conventional Glass is not available
- Wide acceptance in the European & American chemical industries

### Material certificates

- Certificate of Conformity to EN 10204-3.1 or 3.2

Nominal size	Maximum Pressure								
	150 psi			300 psi			600 psi		
	D1	D2	S	D1	D2	S	D1	D2	S
1"	63	30	10	70	30	15	70	30	20
1½"	82	40	12	92	40	18	92	40	25
2"	100	55	15	107	50	22	107	50	25
3"	134	70	15	145	70	25	145	70	33
4"	171	80	20	177	80	28	190	80	40
5"	192	100	20	–	–	–	–	–	–
6"	218	100	25	244	120	35	263	100	45
8"	273	120	30	305	125	40	315	100	50
10"	336	150	30	358	130	45	–	–	–

\*Approved dimensions and materials see [www.metaglas.com](http://www.metaglas.com)